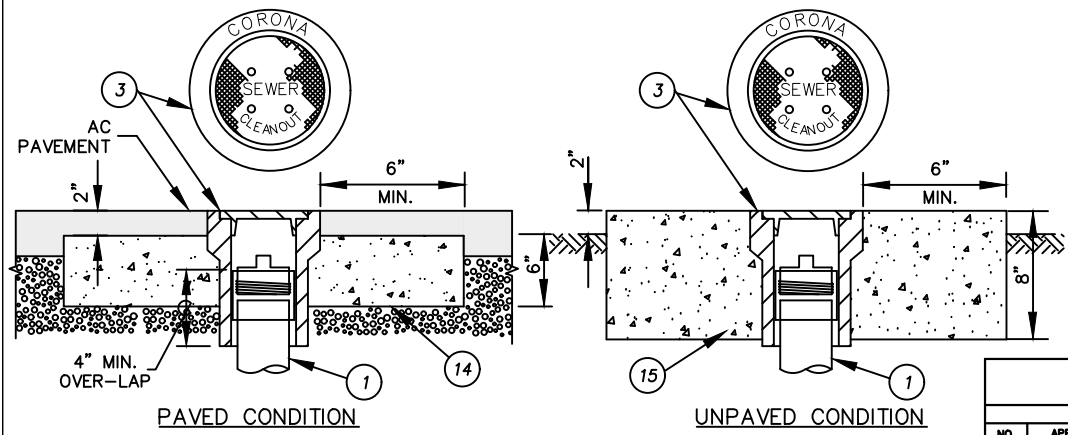


- ITEM MATERIALS**
- 1 — SDR-26 PVC PIPE. SIZE AS REQUIRED.
 - 2 — SDR-26 PVC CROSS, BELL x BELL. SIZE AS REQUIRED.
 - 3 — CLEAN OUT COVER. PRECAST BOX, FRAME AND COVER WITH MARKING AS SHOWN HEREON. ALHAMBRA #A-1240, NEENAH #R-1976, OR APPROVED EQUAL.
 - 4 — SDR-26 PVC LONG RADIUS 90 DEGREE BEND BELL x SPIGOT END. SIZE AS REQUIRED.
 - 5 — EXTRA-STRENGTH VCP.
 - 6 — STANDARD MANHOLE PER CITY STD. DWG. 302.
 - 7 — INSTALL SDR-26 PVC PIPE CONNECTION TO MANHOLE BASE PER DETAIL ON CITY STD. DWG. 302.
 - 8 — CORE DRILL MANHOLE SHAFT. FILL ANNULAR SPACE WITH DRY PACK GROUT.
 - 9 — REPAIR MANHOLE LINING TO THE SATISFACTION OF DWP GENERAL MANAGER OR DESIGNEE.
 - 10 — SLOPE PIPE TO FALL 1/2-INCH TOWARD CROSS.
 - 11 — LINE INTERIOR SURFACES OF MANHOLE AND MANHOLE BASE WITH SANCON 100, UTILITHANE, SAUERISEN SEWERGARD 210, OR EQUAL. APPLY NON-SKID SURFACE ON TOTAL SHELF AREA. PREPARE SURFACE OF MANHOLE FOR APPLICATION OF MANHOLE LINING PER CITY STD. DWG. 302 NOTE 6 ON SHEET 2.
 - 12 — SOLVENT WELD x FIPT SCH. 40 ADAPTER.
 - 13 — PVC SCH. 40 STOPPER MIPT PLUG WITH MALE SQUARE NUT.
 - 14 — 560-C-3250 CONCRETE COLLAR (ROUND). SEE NOTE 5.
 - 15 — 560-C-3250 CONCRETE COLLAR (SQUARE).
 - 16 — TRANSITION BAND SEAL COUPLING WITH OUTSIDE TYPE 316SS SHEAR RING.


PLUG DETAIL

NOTES:

1. DROP MANHOLE SHALL BE APPROVED BY DWP GENERAL MANAGER OR DESIGNEE ONLY WHEN JUSTIFICATION IS PROVIDED SHOWING NO ALTERNATIVES ARE AVAILABLE.
2. FOR MANHOLE CONSTRUCTION NOTES AND DETAILS NOT SHOWN, SEE CITY STD. DWG. 302.
3. CONSTRUCT CLEANOUTS OF THE SAME DIAMETER (4", 6" OR 8") AND MATERIAL AS THE SEWER LATERAL.
4. IF LOCATED IN CONCRETE PAVEMENT, CONSTRUCT 6-INCH THICK ROUND COLLAR FLUSH WITH PAVEMENT.



NOT TO SCALE

REVISION			APPROVED:		DATE	CITY OF CORONA
NO.	APPROVED	DATE				
4		07/16/18	<i>Tom Koper</i>		10/01/20	 STD 303
5		10/19/18	<i>Vernon R. Weisman</i>		10/01/20	
6	VRW	10/01/20	<i>Vernon R. Weisman</i>	DISTRICT ENGINEER		SHEET 1 OF 1