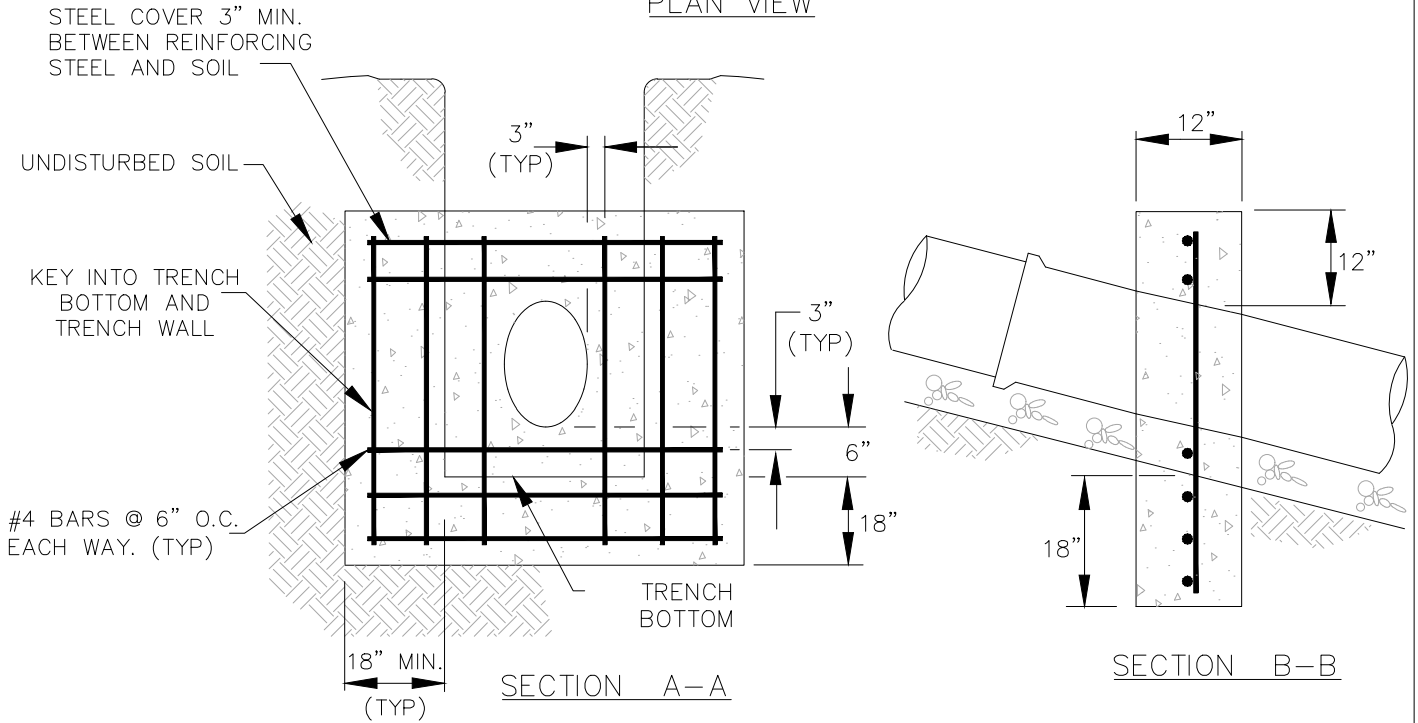


PLAN VIEW




NOTES:

1. PIPE ANCHORS REQUIRED ON ALL SLOPES 3:1 (H:V) OR STEEPER.
2. PLACE ONE ANCHOR PER PIPE LENGTH, NOT TO EXCEED A SLOPE DISTANCE OF 18 FEET.
3. CONCRETE SHALL BE CLASS 560-C-3250 FOR STANDARD PLACEMENT AND 565-C-3250P FOR PUMP PLACEMENT.
4. ANCHORS FOR TRAPEZOIDAL TRENCH SECTIONS WILL CONFORM TO TRENCH CROSS SECTION AND EXTEND A MINIMUM OF 18 INCHES INTO UNDISTURBED SOIL.

NOT TO SCALE

CONCRETE SLOPE ANCHORS

REVISION			APPROVED:	DATE		CITY OF CORONA	
NO.	APPROVED	DATE	<i>Nelson D Nelson</i>	7/16/2018		DATE	STD 310
1		04/05/16	NELSON D. NELSON, PE, PUBLIC WORKS DIRECTOR	7/16/2018		DATE	SHEET 1 OF 1
2	VRW	07/16/18	<i>Vernon R. Weisman</i>				
			VERNON R. WEISMAN, PE, DISTRICT ENGINEER				