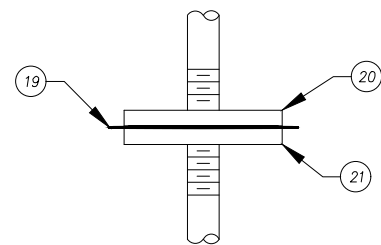
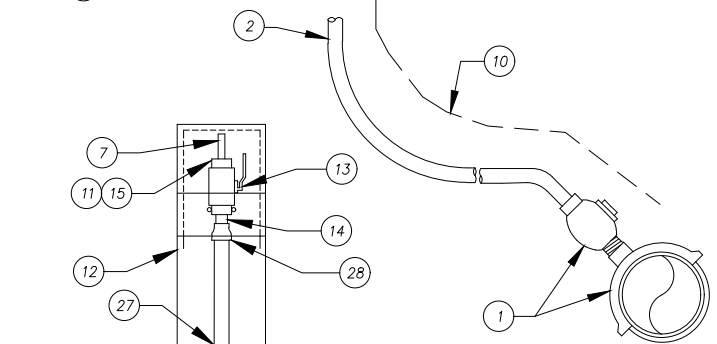


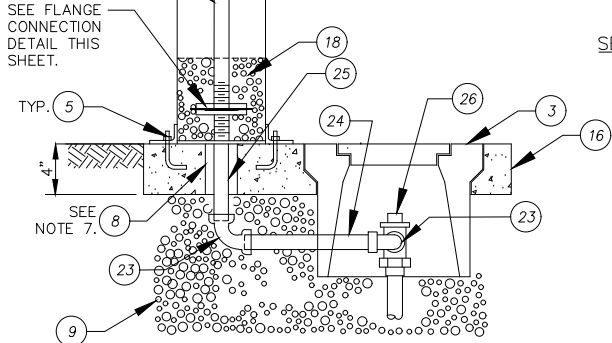
PLAN



FLANGE CONNECTION



SECTION B-B




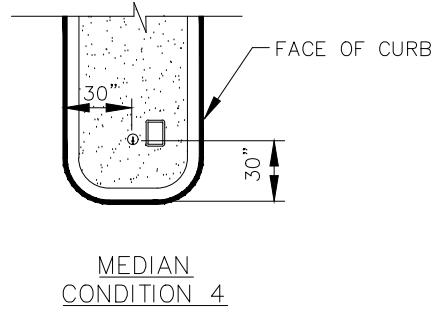
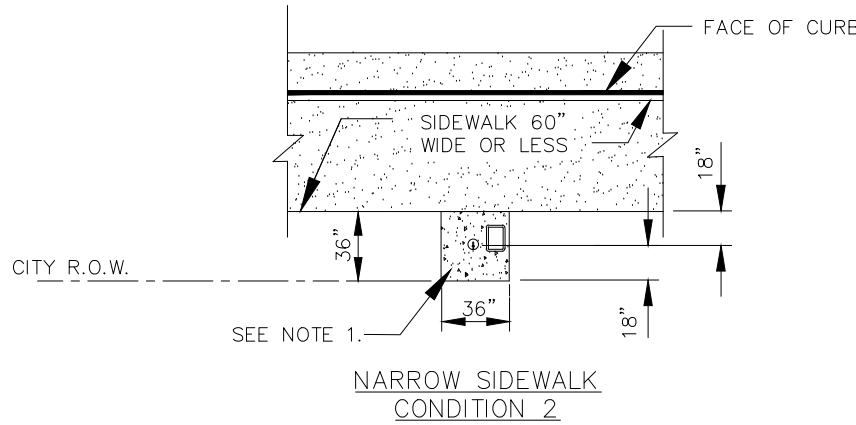
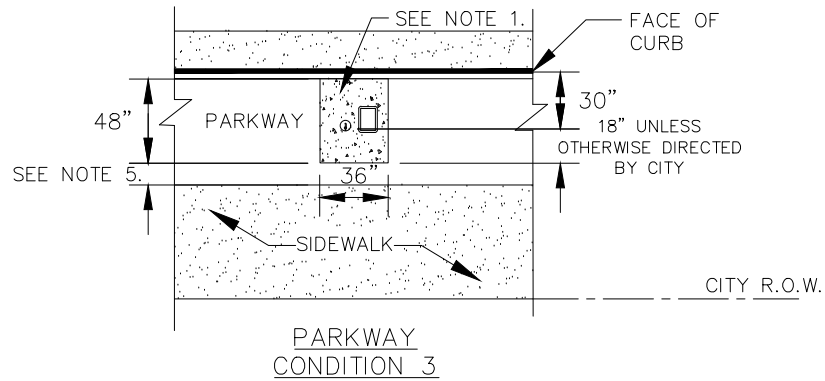
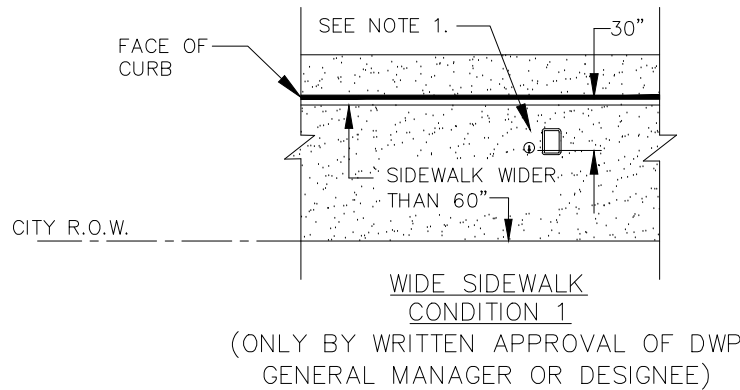
SECTION A-A

SEE WATER SAMPLE LOCATION PLANS AND NOTES ON SHEET 2.

- | ITEM | MATERIALS |
|------|--|
| 1 | 1-INCH SERVICE CONNECTION (DOUBLE STRAP LEAD-FREE SADDLE AND CORPORATION STOP) PER CITY STD. DWG. 414. |
| 2 | 1-INCH COPPER TUBING TYPE "K" PER CITY STD. DWG. 414. |
| 3 | J&R P-W5 1/4 POLYMER CONCRETE METER BOX. READING LID AND QUICK READ PORT NOT REQUIRED. |
| 4 | SAWCUT OR CORE DRILL METERBOX FOR 1-INCH PIPE. |
| 5 | 3/8" DIA. x 4" LONG STAINLESS STEEL J ANCHOR BOLT CAST IN SLAB OR EPOXY GROUTED ANCHOR BOLTS (3 EACH AT 120-DEGREES APART WITH STAINLESS STEEL NUTS AND WASHERS) INSTALL WITH RUBBER GROMMET UNDER ANCHOR CLIPS TO PROVIDE 1/4-INCH GAP. |
| 6 | LOCK HASP. |
| 7 | 3/8-INCH TYPE 316SS TUBING SPIGOT BEND TO 120-DEGREES FOR DOWNWARD OPENING. |
| 8 | 2-INCH SCH. 80 PVC SLEEVE. |
| 9 | 3/4-INCH CRUSHED ROCK PLACE TO DEPTH 6 INCHES BELOW CONCRETE METER BOX. |
| 10 | 6-INCH BLUE WARNING TAPE LABELED "POTABLE WATER" 12 INCHES ABOVE SAMPLE SERVICE LATERAL. |
| 11 | 3/8" x 1/2" COPPER TUBE FLARE NUT x MIPT ADAPTER. |
| 12 | LINEAR LOW DENSITY POLYETHYLENE SAMPLE STATION PAINTED HUNTER GREEN. 12" DIA. x 30" HIGH WITH CORONA LOGO DECAL LABELED "POTABLE." |
| 13 | 1/2-INCH STAINLESS STEEL TEFLON SEATED BALL VALVE, FIPT x FIPT (ORIENT VALVE HANDLE TOWARD FRONT OF SAMPLE STATION.) |
| 14 | 1/2-INCH TYPE 316SS THREADED NIPPLE. |
| 15 | 1/2-INCH MIPT x FEMALE FLARE FITTING. |
| 16 | 4-INCH THICK 560-C-3250 CONCRETE. |
| 17 | 3 ANCHOR CLIPS WITH 1/2-INCH HOLES AT 120-DEGREE SPACING. |
| 18 | 3/4-INCH GRAVEL PLACE TO DEPTH 12 INCHES DEEP IN BOTTOM OF SAMPLE STATION. |
| 19 | FLANGE INSULATING KIT PER CITY STD. DWG. 458. |
| 20 | 1-INCH TYPE 316SS COMPANION FLANGE (FLG x FIPT). |
| 21 | 1-INCH BRASS COMPANION FLANGE (FLG x FIPT). |
| 22 | 1-INCH RED BRASS NIPPLE, THREADED BOTH ENDS, 6 INCHES LONG. |
| 23 | 1-INCH BRASS 90-DEGREE BEND (FIPT x FIPT). |
| 24 | 1-INCH RED BRASS NIPPLE, THREADED BOTH ENDS. |
| 25 | 1-INCH RED BRASS NIPPLE, THREADED BOTH ENDS, 10 INCHES LONG. |
| 26 | 1-INCH ANGLE BALL VALVE (CTS x MSN): JONES E-1963WSG, FORD BA43-444W-NL, MUELLER B-24258N OR A.Y.MCDONALD 74602BQ. |
| 27 | 1-INCH TYPE 316SS THREADED NIPPLE. |
| 28 | 1/2" x 1" TYPE 316SS REDUCER COUPLING (FIPT x FIPT). |

NOT TO SCALE

REVISION			APPROVED:		CITY OF CORONA
NO.	APPROVED	DATE		DATE	
1	VRW	12/28/18	<i>Tom Koper</i> TOM G. KOPER, PE, CITY ENGINEER	1/7/2019	 STD 404 SHEET 1 OF 2
			<i>Vernon R. Weisman</i> VERNON R. WEISMAN, PE, DISTRICT ENGINEER	1/7/2019	

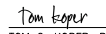
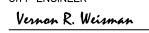



WATER SAMPLE STATION LOCATION PLANS

NOTES:

1. REPLACE SIDEWALK PER CITY STD. 142 OR CONSTRUCT 48" x 36" x 6" THICK CONCRETE PAD WITHIN PARKWAY. SEE WATER SAMPLE STATION LOCATION PLANS ABOVE FOR APPLICABLE CONDITION.
2. DO NOT CONSTRUCT WATER SAMPLE STATION CLOSER THAN 10 FEET TO DRIVEWAY RETURN WITHOUT PRIOR APPROVAL BY DWP GENERAL MANAGER OR DESIGNEE.
3. CONSTRUCT WATER SAMPLE STATION WITHIN CITY RIGHT-OF-WAY (R.O.W.) OR EASEMENT UNLESS EXCEPTION IS PROVIDED IN WRITING BY DWP GENERAL MANAGER OR DESIGNEE.
4. ALL FITTINGS, PIPE, VALVES, AND FIXTURES SHALL BE LEAD FREE IN COMPLIANCE WITH FEDERAL AND STATE LAWS.
5. EXTEND SAMPLING STATION CONCRETE PAD TO SIDEWALK IF SEPARATION IS LESS THAN 24 INCHES.
6. PROVIDE 10-FOOT SEPARATION FROM ALL SEWER AND RECLAIMED WATER FACILITIES.
7. FILL ANNULAR SPACE IN SLAB SLEEVE WITH SAND.
8. ALL HARDWARE SHALL BE TYPE 316SS.

NOT TO SCALE

REVISION			APPROVED:		DATE	
NO.	APPROVED	DATE				
1	VRW	12/28/18	 TOM G. KOPER, PE. CITY ENGINEER		1/7/2019	
			 VERNON R. WEISMAN, PE. DISTRICT ENGINEER		1/7/2019	



CITY OF CORONA

STD 404

SHEET 2 OF 2