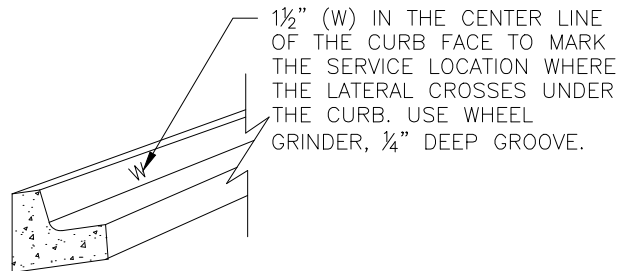
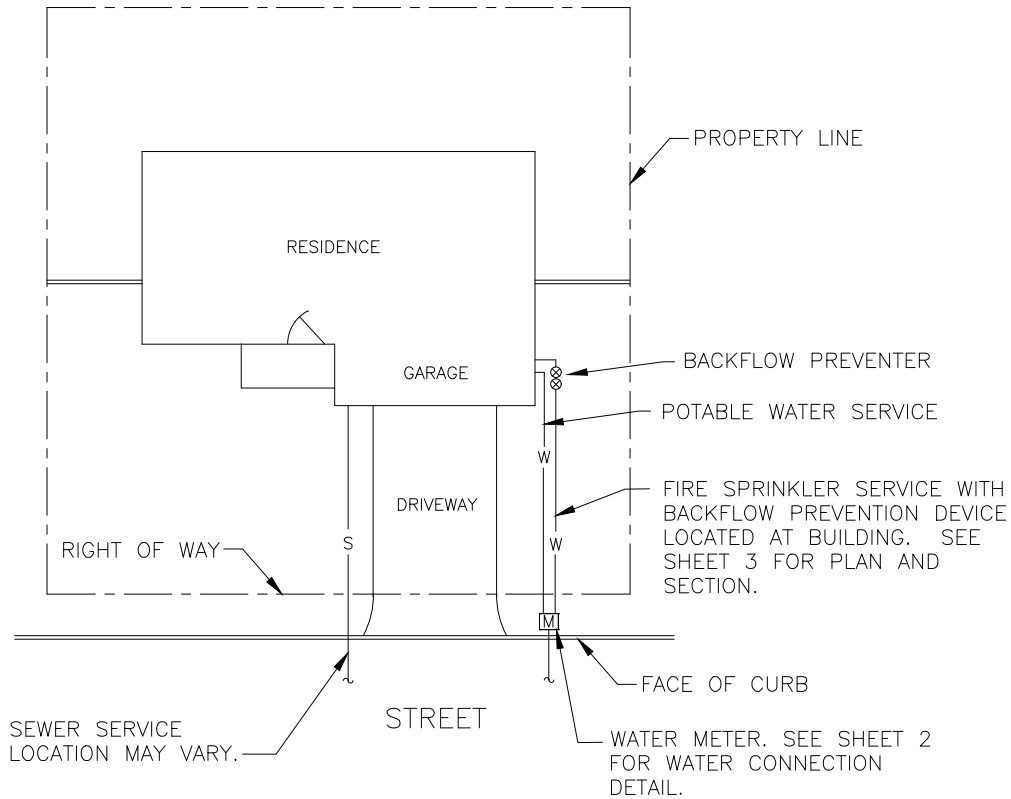



GENERAL NOTES:

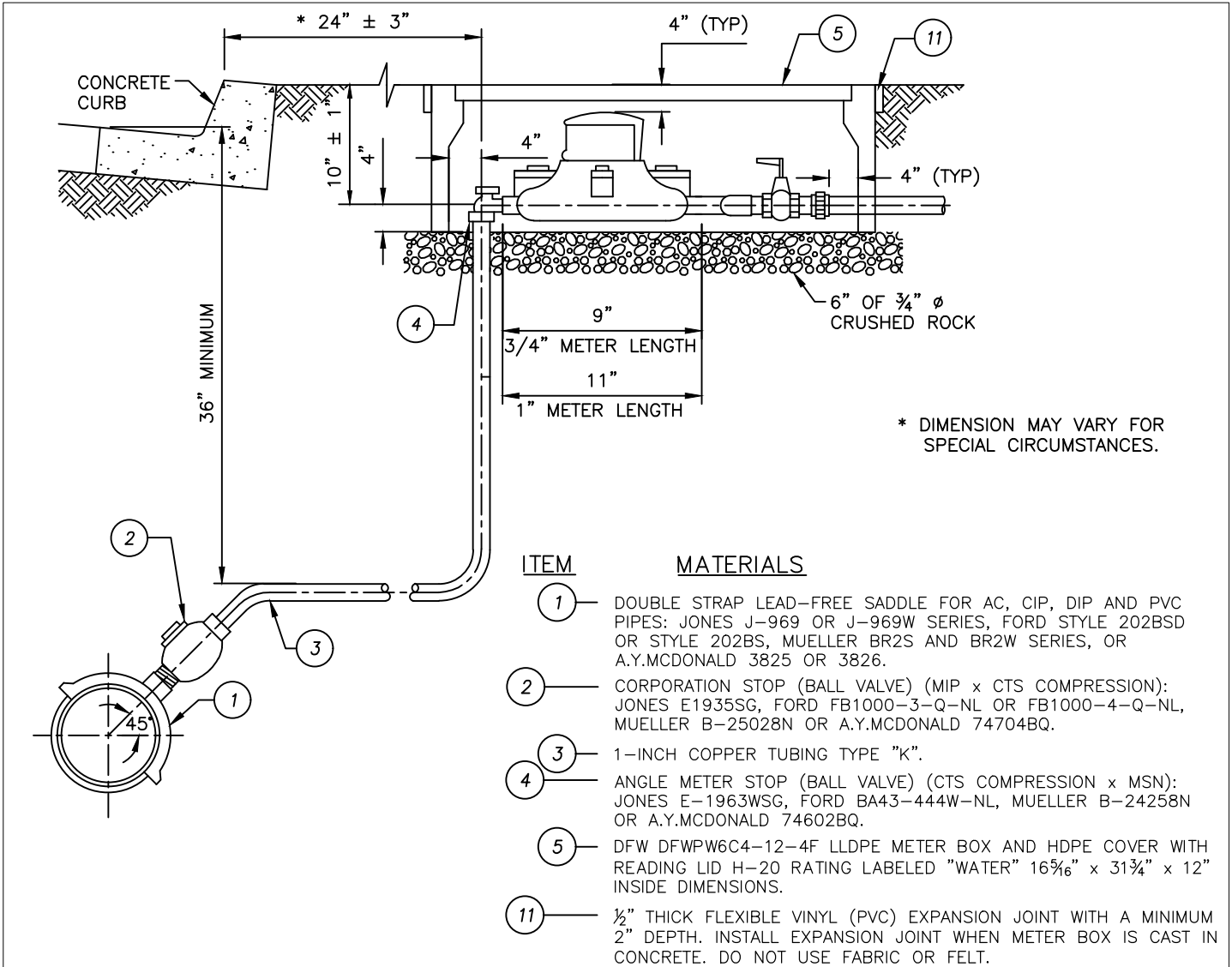
1. THE CONTRACTOR IS RESPONSIBLE FOR THE COMPLETE SERVICE CONNECTION AS SHOWN ON THIS STANDARD DRAWING EXCEPT FOR THE WATER METER. THE CITY WILL PROVIDE AND INSTALL THE WATER METER.
2. THE WATER SERVICE SHALL EXTEND PERPENDICULAR TO THE CENTERLINE OF THE STREET FROM THE WATER MAIN TO THE METER STOP.
3. ALL DUAL PLUMBED SERVICES WITH A FIRE SERVICE ARE REQUIRED TO HAVE A DOUBLE CHECK BACKFLOW PREVENTION ASSEMBLY INSTALLED AND TESTED PRIOR TO SERVICE BEING TURNED ON. PROVIDE ACCESS TO BACKFLOW PREVENTER FOR TESTING.
4. LOCATIONS SHOWN FOR WATER METER BOX, POTABLE WATER SERVICE, AND FIRE SPRINKLER SERVICE ARE DIAGRAMMATIC AND MAY BE REVISED TO SUIT EACH PROPERTY.
5. ALL FITTINGS, PIPE, VALVES, AND FIXTURES SHALL BE LEAD FREE IN COMPLIANCE WITH FEDERAL AND STATE LAWS.



NOT TO SCALE

1" POTABLE WATER SERVICE CONNECTION DETAIL WITH FIRE SPRINKLER SERVICE

REVISION			APPROVED:		DATE			CITY OF CORONA	
NO.	APPROVED	DATE	<i>Tom Koper</i>		1/7/2019				
2		04/28/14	TOM G. KOPER, PE, CITY ENGINEER		DATE				
3		05/04/18	<i>Vernon R. Weisman</i>		1/7/2019			STD 408	
4	VRW	12/28/18	VERNON R. WEISMAN, PE, DISTRICT ENGINEER		DATE		SHEET 1 OF 4		




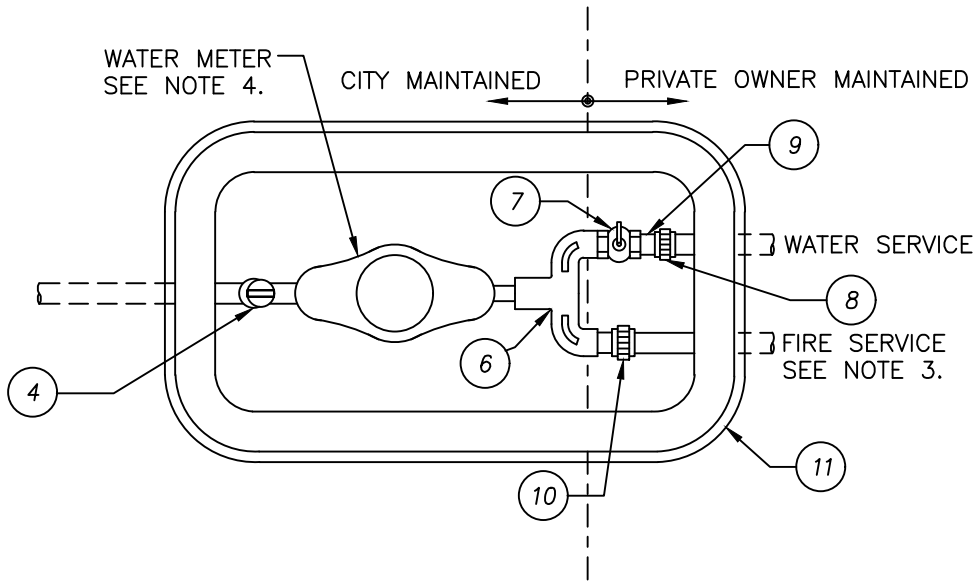
CONSTRUCTION NOTES:

- SERVICE SADDLE SHALL NOT BE INSTALLED WITHIN 12 INCHES OF VALVE, COUPLING, JOINT, OR FITTING.
- DOUBLE-WRAP ALL PIPING BELOW GRADE IN A BLUE COLORED 8-MIL POLYETHYLENE SLEEVE LABELED POTABLE WATER. EXTEND POLYETHYLENE SLEEVE 2 INCHES MINIMUM ABOVE FINISH GRADE. SECURE WITH 10-MIL TAPE.
- CONSTRUCT WATER SERVICE PIPE IN SAND BEDDING (SE 30 MINIMUM) FROM CORP STOP TO METER BOX.
- ALL CONNECTIONS TO COPPER TUBING SHALL BE COMPRESSION TYPE AND SERVICE MUST BE CONTINUOUS AND UNCUT. NO SWEAT TYPE FITTINGS ALLOWED.
- CONNECTIONS TO STEEL WATER MAINS SHALL BE WITH A WELDED 3000 POUND HALF COUPLING AND DIELECTRIC INSULATING BUSHING. ALL STEEL SURFACES SHALL BE COVERED WITH CEMENT MORTAR.
- ROUND AND DE-BURR ALL COPPER PIPE PRIOR TO INSTALLATION.
- WRAP SERVICE SADDLE WITH TWO LAYERS OF 8-MIL POLYETHYLENE.
- INSTALL BRASS PIPING AND FITTINGS INSIDE METER BOX BETWEEN ANGLE METER STOP AND BRASS UNIONS.
- PROVIDE METER BOXES IN UNIMPROVED STREETS AND BEHIND ROLLED CURBS WITH COVERS AND BOXES RATED FOR H-20 TRAFFIC LOADS.

NOT TO SCALE

1" POTABLE WATER SERVICE CONNECTION DETAIL WITH FIRE SPRINKLER SERVICE

REVISION			APPROVED:			CITY OF CORONA	
NO.	APPROVED	DATE		DATE		STD 408	
3		05/04/18	<i>Tom Koper</i> TOM G. KOPER, PE, CITY ENGINEER	10/01/20			
4		12/28/18	<i>Vernon R. Weisman</i> VERNON R. WEISMAN, PE, DISTRICT ENGINEER	10/01/20			
5	VRW	10/01/20					SHEET 2 OF 4



CONSTRUCTION NOTES:

1. SEE CONSTRUCTION NOTES ON SHEET 2.
2. INSTALL A "LOCK OFF" STYLE BALL VALVE FOR THE DOMESTIC WATER SERVICE.
3. INSTALL FIRE SERVICE PER UNDERGROUND FIRE PLANS (MINIMUM 1-INCH DIA.).
4. THE CITY WILL PROVIDE AND INSTALL A NEPTUNE T-10 METER (MIP X MIP). REQUEST THE METER INSTALLATION FROM THE PUBLIC WORKS INSPECTOR OR THE BUILDING INSPECTOR WHEN THERE IS NO PUBLIC IMPROVEMENT PLAN.
5. A REDUCER FITTING CAN BE INSTALLED BETWEEN THE ANGLE METER STOP VALVE AND THE METER, AND PAST THE BRASS UNION WITHIN THE PRIVATE OWNER MAINTAINED AREA.


ITEM

MATERIALS

- 4 — ANGLE METER STOP (BALL VALVE) (CTS COMPRESSION x MSN): JONES E-1963WSG, FORD BA43-444W-NL, MUELLER B-24258N OR A.Y.MCDONALD 74602BQ.
- 6 — FIRE AND DOMESTIC LABEL ENGRAVED U-BRANCH (MSN x MIP): JONES E-2632, FORD U3MM-44-5-NL OR MUELLER H15375N.
- 7 — METER VALVE (FIP x MSN): JONES STYLE E-1903W, FORD STYLE B13-344W-NL OR STYLE B13-444W-NL, MUELLER B24351N OR A.Y.MCDONALD 76101MW WITH "LOCK OFF" HANDLE.
- 8 — BRASS UNION (FIP x FIP).
- 9 — RED BRASS NIPPLE (MIP x MIP), THREADED BOTH ENDS, 1-1/2-INCH LENGTH.
- 10 — BRASS METER COUPLING (MSN x MIP): JONES E-130, FORD C38-44-2-625-NL, MUELLER H-10890N OR A.Y. MCDONALD 74620.
- 11 — 1/2" THICK FLEXIBLE VINYL (PVC) EXPANSION JOINT WITH A MINIMUM 2" DEPTH. INSTALL EXPANSION JOINT WHEN METER BOX IS CAST IN CONCRETE. DO NOT USE FABRIC OR FELT.

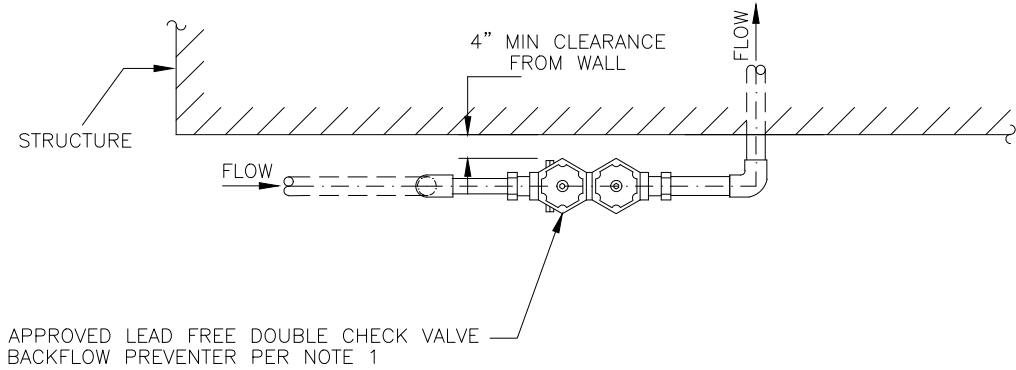
NOT TO SCALE

1" POTABLE WATER SERVICE CONNECTION DETAIL WITH FIRE SPRINKLER SERVICE

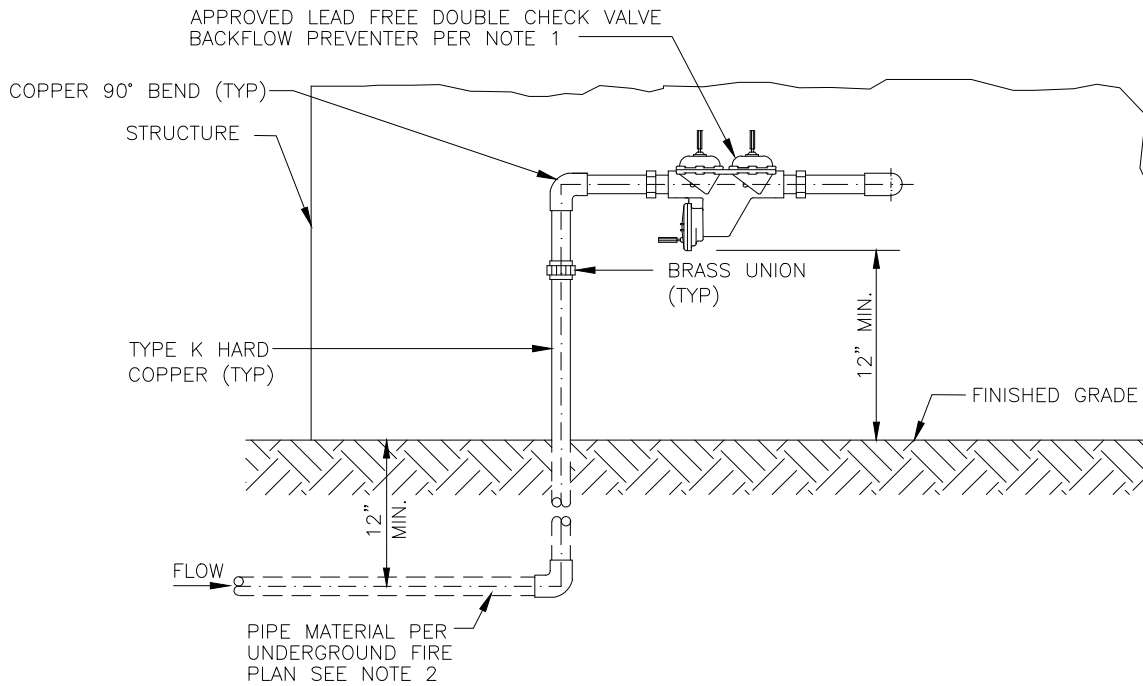
REVISION			APPROVED:		CITY OF CORONA
NO.	APPROVED	DATE		DATE	
3		05/04/18	<i>Tom Koper</i> TOM G. KOPER, PE, CITY ENGINEER		
4		12/28/18	<i>Vernon R. Weisman</i> VERNON R. WEISMAN, PE, DISTRICT ENGINEER	10/01/20	
5	VRW	10/01/20		10/01/20	
STD 408					
SHEET 3 OF 4					

CONSTRUCTION NOTES:

1. INSTALL APPROVED LEAD FREE DOUBLE CHECK VALVE BACKFLOW PREVENTION DEVICES LISTED IN THE USC LIST OF APPROVED BACKFLOW PREVENTION ASSEMBLIES.
2. INSTALL FIRE SERVICE PER UNDERGROUND FIRE PLANS (MINIMUM 1-INCH DIA.).
3. ALL FITTINGS, PIPE, VALVES, AND FIXTURES SHALL BE LEAD FREE IN COMPLIANCE WITH FEDERAL AND STATE LAWS.



PLAN



SECTION

NOT TO SCALE

1" POTABLE WATER SERVICE CONNECTION DETAIL WITH FIRE SPRINKLER SERVICE

REVISION		
NO.	APPROVED	DATE
1		02/13/14
2		04/28/14
3	VRW	05/04/18

APPROVED:

Nelson D Nelson
 NELSON D. NELSON, PE,
 PUBLIC WORKS DIRECTOR

Vernon R. Weisman
 VERNON R. WEISMAN, PE,
 DISTRICT ENGINEER

5/8/2018
 DATE

5/8/2018
 DATE



CITY OF CORONA

STD 408

SHEET 4 OF 4