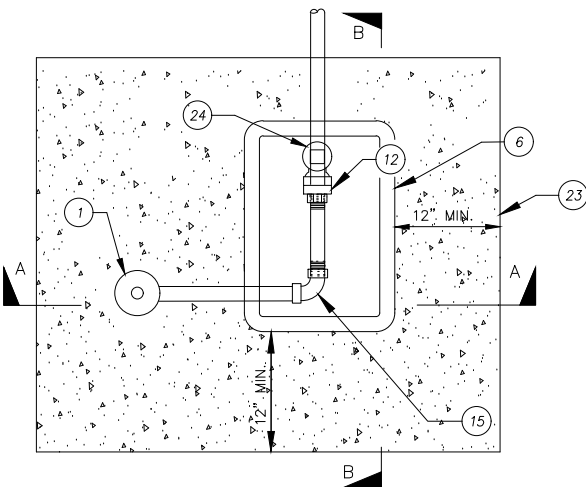
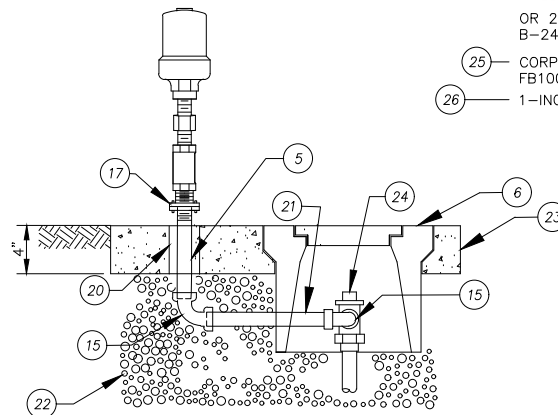


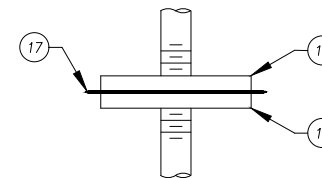
SECTION B-B



PLAN



SECTION A-A




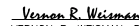
FLANGE CONNECTION


- | ITEM | MATERIALS   |
|------|---|
| 1    | 1-INCH OR 2-INCH COMBINATION AIR & VACUUM RELIEF VALVE, ROLLING SEAL STYLE ARI D-040C.  |
| 2    | 1-INCH OR 2-INCH TYPE 316SS NIPPLE (MIPT x MIPT).   |
| 3    | 1-INCH OR 2-INCH TYPE 316SS UNION (FIPT x FIPT).  |
| 4    | 1-INCH OR 2-INCH TYPE 316SS BALL VALVE W/ LOCKABLE HANDLE (FIPT x MIPT).  |
| 5    | 1-INCH OR 2-INCH BRASS NIPPLE (MIPT x MIPT).  |
| 6    | J&R P-W5 1/4 POLYMER CONCRETE METER BOX. READING LID AND QUICK READ PORT NOT REQUIRED.  |
| 7    | 1-INCH OR 2-INCH COPPER ADAPTER (CTS x FIPT) MUELLER H15451N OR EQUAL.  |
| 8    | 1-INCH OR 2-INCH BRASS STREET ELBOW (MIPT x FIPT).  |
| 9    | 6-INCH PURPLE WARNING TAPE LABELED "RECLAIMED WATER" ABOVE AIR/VAC SERVICE LATERAL.   |
| 10   | 1-INCH OR 2-INCH COPPER SERVICE PIPE, TYPE "K" RIGID. PRIOR TO INSTALLATION, COPPER PIPE SHALL BE ROUNDED AND DE-BURRED.  |
| 11   | DOUBLE STRAP LEAD-FREE SADDLE FOR AC, CIP, DIP AND PVC PIPES: JONES J-969 SERIES, FORD STYLE 202BSD, MUELLER BR2S AND BR2W SERIES, OR A.Y.MCDONALD 3825.  |
| 12   | 2-INCH FIPT x FLG ADAPTER (NOT USED FOR 1-INCH ASSEMBLY).   |
| 13   | 1-INCH OR 2-INCH BRASS NIPPLE, THREADED BOTH ENDS, 6-INCHES LONG.   |
| 14   | SAWCUT OR CORE DRILL METER BOX FOR 2-INCH PIPE.   |
| 15   | 1-INCH OR 2-INCH BRASS 90-DEGREE BEND (FIPT x FIPT).  |
| 16   | TYPE 316SS SCREEN.  |
| 17   | FLANGE INSULATING KIT PER CITY STD. DWG. 458.   |
| 18   | 1-INCH OR 2-INCH TYPE 316SS COMPANION FLANGE (FLG x FIPT).  |
| 19   | 1-INCH OR 2-INCH BRASS COMPANION FLANGE (FIPT x FLG).   |
| 20   | 3-INCH SCH. 80 PVC SLEEVE.  |
| 21   | 1-INCH OR 2-INCH BRASS NIPPLE, THREADED BOTH ENDS.  |
| 22   | 3/4-INCH CRUSHED ROCK PLACE TO DEPTH 6-INCHES BELOW CONCRETE METER BOX.   |
| 23   | 4-INCH THICK 560-C-3250 CONCRETE.   |
| 24   | 1-INCH ANGLE BALL VALVE (CTS x MSN): JONES E-1963WSG, FORD BA43-444W-NL, MUELLER B-24258N OR A.Y.MCDONALD 74602BQ.<br>OR 2-INCH ANGLE METER STOP (BALL VALVE) (CTS x FLG): JONES E-1975WSG, MUELLER B-24276N OR A.Y.MCDONALD 74602BCSQ. |
| 25   | CORPORATION STOP (BALL VALVE) (MIP x CTS): JONES E1935SG, FORD FB1000-4-Q-NL OR FB1000-7-Q-NL, MUELLER B-25028N OR A.Y.MCDONALD 74704BQ.  |
| 26   | 1-INCH OR 2-INCH COPPER ADAPTER (MIP x CTS).  |

NOT TO SCALE

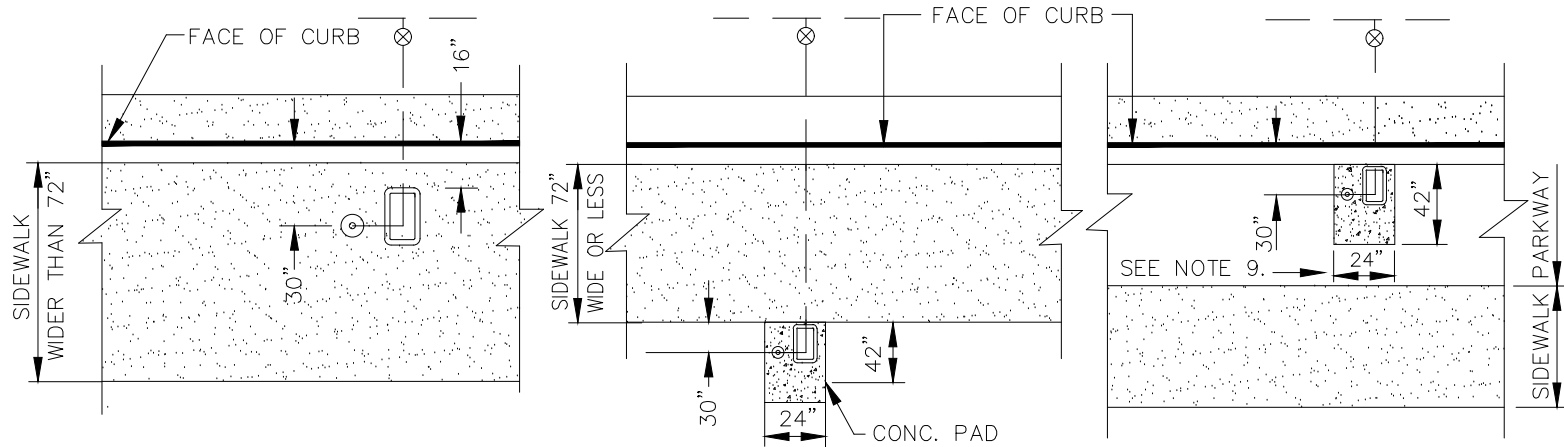
1" OR 2" RECLAIMED WATER COMBINATION AIR AND VACUUM RELEASE

REVISION		APPROVED:	
NO.	APPROVED	DATE	DATE
2		04/30/14	1/7/2019
3		05/30/18	1/7/2019
4	VRW	12/28/18	

APPROVED:  TOM G. KOPER, PE. CITY ENGINEER	APPROVED:  VERNON R. WEISMAN, PE. DISTRICT ENGINEER
--	---

	CITY OF CORONA STD 413R SHEET 1 OF 2
---	--

SEE AIR AND VACUUM RELEASE LOCATION PLANS ON SHEET 2



CASE 1

CASE 2


CASE 3

(ONLY BY WRITTEN APPROVAL OF DWP GENERAL MANAGER OR DESIGNEE)

NOTES:

1. WRAP SERVICE SADDLE AND CORP STOP WITH TWO LAYERS OF 8-MIL PURPLE POLYETHYLENE.
2. PAINT ABOVE GRADE PORTION OF AIR/VAC ASSEMBLY PURPLE PANTONE 512C.
3. ENCASE COPPER AND BRASS PIPING SERVICE TO 1/2-INCH ABOVE FINISH GRADE WITH TWO 8-MIL PURPLE POLYETHYLENE SLEEVES (DOUBLE-WRAP).
4. POSITION ASSEMBLY PER APPLICABLE CASE 1, 2 OR 3 AS SHOWN HEREON.
5. THE CITY WILL DETERMINE IF 1-INCH OR 2-INCH ASSEMBLY IS TO BE INSTALLED. REFER TO PROJECT PLANS.
6. MARK VALVE LOCATION AND DISTANCES TO TWO POINTS ON ADJACENT CURB USING A 4-INCH WHEEL GRINDER.
7. FILL ANNULAR SPACE IN SLEEVE WITH SAND.
8. INCREASE THE DISTANCE BETWEEN THE AIR/VAC VALVE AND SCREEN TO EXTEND FARTHER THAN THE FLANGE.
9. EXTEND PAD TO SIDEWALK IF END OF PAD IS 24 INCHES OR CLOSER TO SIDEWALK.
10. CONSTRUCT AIR/VAC VALVE ASSEMBLY IN CITY RIGHT-OF-WAY OR EASEMENT UNLESS EXCEPTION IS PROVIDED IN WRITING BY DWP GENERAL MANAGER OR DESIGNEE.
11. ALL FITTINGS, PIPE, VALVES, AND FIXTURES SHALL BE LEAD FREE IN COMPLIANCE WITH FEDERAL AND STATE LAWS.

NOT TO SCALE

REVISION			APPROVED:		 CITY OF CORONA STD 413R SHEET 2 OF 2
NO.	APPROVED	DATE	NAME	DATE	
1		02/13/14	Nelson D. Nelson NELSON D. NELSON, PE, PUBLIC WORKS DIRECTOR	5/31/2018	CITY OF CORONA STD 413R SHEET 2 OF 2
2		04/30/14	Vernon R. Weisman VERNON R. WEISMAN, PE, DISTRICT ENGINEER	5/31/2018	
3	VRW	05/30/18			