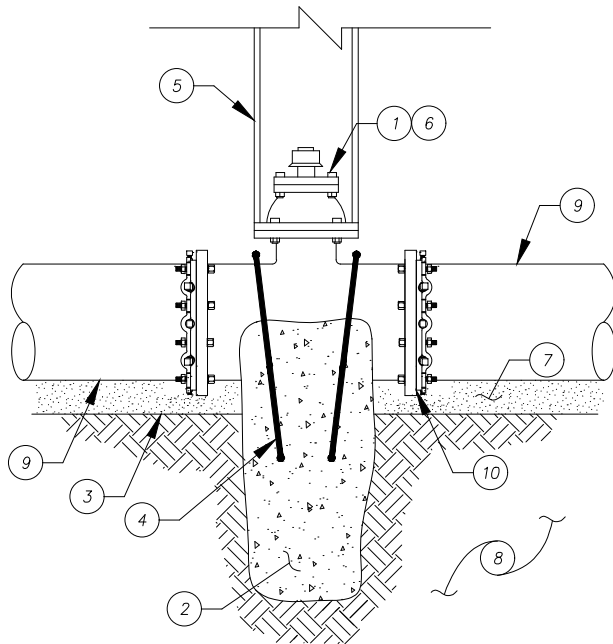
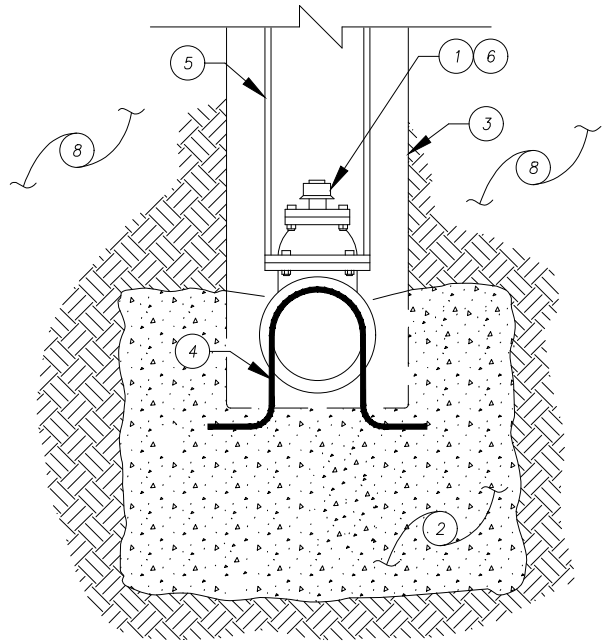


PLAN  
NO SCALE

- | ITEM | MATERIALS                                                                                 |
|------|-------------------------------------------------------------------------------------------|
| 1    | RESILIENT WEDGE GATE VALVE, MJ, PER AWWA C515. INSTALL TYPE 316SS BONNET BOLTS AND NUTS.  |
| 2    | CONCRETE SUPPORT/THRUST BLOCK PER CITY STD. DWG. 401.                                     |
| 3    | TRENCH BOUNDARY.                                                                          |
| 4    | #4 REBAR ANCHORS (MIN.) PER CITY STD. DWG. 401.                                           |
| 5    | VALVE CAN AND RISER PER CITY STD. DWG. 422.                                               |
| 6    | WRAP VALVES WITH TWO LAYERS OF 8-MIL POLYETHYLENE PRIOR TO CONCRETE PLACEMENT.            |
| 7    | PIPE BEDDING PER CITY STD. DWG. 406.                                                      |
| 8    | UNDISTURBED EARTH.                                                                        |
| 9    | PIPE PER PLANS.                                                                           |
| 10   | RESTRAINED MECHANICAL JOINT, EBAA IRON MEGALUG SERIES 1100, TYPE 316SS MOUNTING HARDWARE. |



SECTION A  
NO SCALE



SECTION B  
NO SCALE

NOT TO SCALE

## RESILIENT WEDGE GATE VALVE INSTALLATION

REVISION		
NO.	APPROVED	DATE
1	VRW	12/28/18

APPROVED:	1/7/2019
<i>Tom Koper</i>	DATE
TOM G. KOPER, PE, CITY ENGINEER	1/7/2019
<i>Vernon R. Weisman</i>	DATE
VERNON R. WEISMAN, PE, DISTRICT ENGINEER	



CITY OF CORONA
STD 420
SHEET 1 OF 1