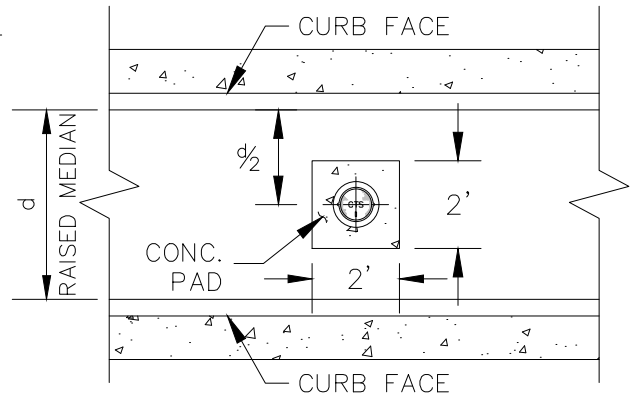
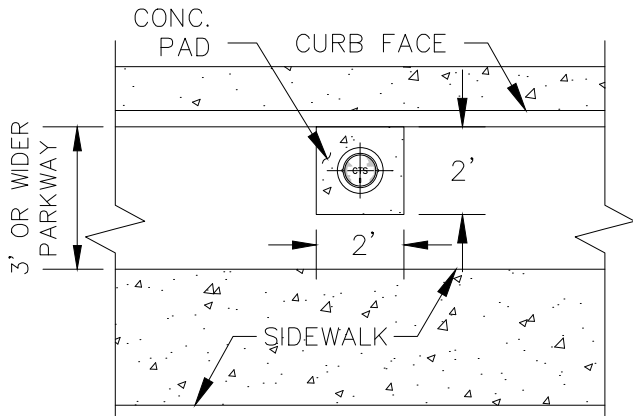


CASE I – SIDEWALK ADJACENT TO CURB



CASE III – CENTER MEDIAN




CASE II – SIDEWALK NOT ADJACENT TO CURB

NOTES:

1. CENTER TEST BOX AND FRAME BOTH WAYS IN CONCRETE HOUSEKEEPING PAD.
2. USE CASE I OR II FOR PIPE CLOSE TO THE CURB.
3. USE CASE III FOR PIPE CLOSE TO THE CENTER MEDIAN WHERE THE MEDIAN IS RAISED AND $d > 10$ FEET.
4. CONSTRUCT TEST STATION WITHIN CITY RIGHT-OF-WAY (R.O.W.) OR EASEMENT. IF DIFFERENT FROM THESE THREE CASES, DWP GENERAL MANAGER OR DESIGNEE SHALL DETERMINE THE TEST STATION LOCATION.

NOT TO SCALE

TEST STATION LOCATIONS IN STREET RIGHT-OF-WAY

| REVISION | | | APPROVED: | |  | CITY OF CORONA |
|----------|----------|----------|--|---|---|----------------|
| NO. | APPROVED | DATE | <i>Nelson D. Nelson</i> | 7/30/2018 | | |
| 1 | VRW | 07/30/18 | NELSON D. NELSON, PE, PUBLIC WORKS DIRECTOR | DATE | 7/30/2018 | STD 455 |
| | | | <i>Vernon R. Weisman</i> | VERNON R. WEISMAN, PE, DISTRICT ENGINEER | DATE | SHEET 1 OF 1 |