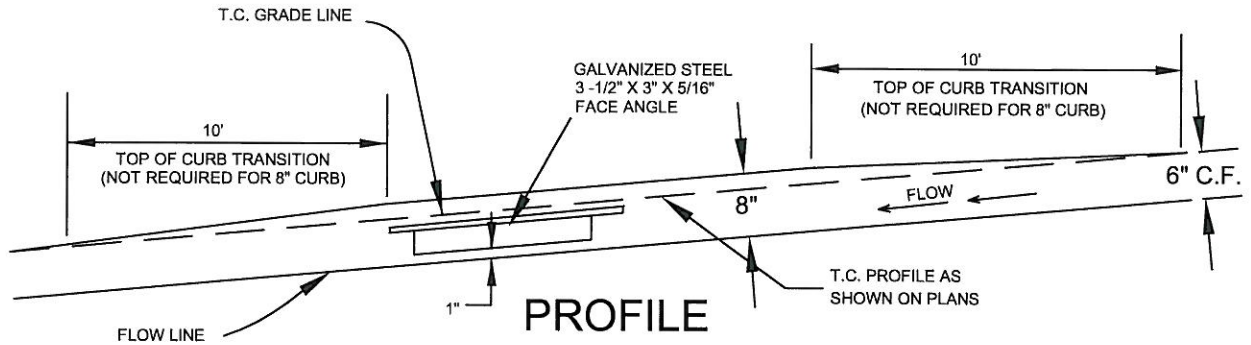


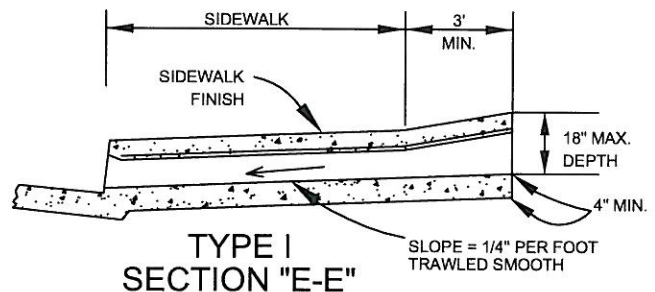
PLAN



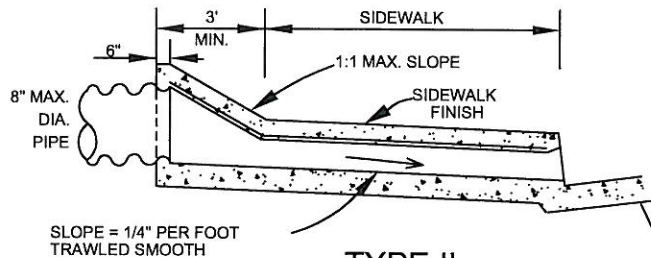
PROFILE

NOTES:

1. SPAN "S" AND HEIGHT OF OPENING AND CURB FACE AT CULVERT SHALL BE NOTED ON PLANS.
2. SEE STANDARD PLAN 203 FOR DETAILS AND NOTES.
3. CONCRETE SHALL BE CLASS 560-C-3250.
4. FACE ANGLE SHALL BE ANCHORED BY FULL PENETRATION WITH A 3-5/8" X 6-3/8" STEEL STUD OR BUTT WELD.
5. UNLESS OTHERWISE SPECIFIED, STANDARD FRAME AND COVER SHALL BE ALHAMBRA FOUNDRY GALVANIZED PIPE OR EQUAL.
6. 1 INCH STEEL CLEARANCE MINIMUM FROM FACE OF CONCRETE
7. TOP OF INLET STRUCTURE TO MATCH ADJACENT SLOPE.



TYPE I SECTION "E-E"



TYPE II SECTION "F-F"

APPROVED BY:

Kip D. Field

11/23/09

CITY ENGINEER
KIP D. FIELD

DATE

CITY OF CORONA

**PARKWAY CULVERT
TYPE "A"**

REVISION	DESCRIPTION	BY	DATE

STANDARD PLAN NUMBER: **200**

SHT 1 OF 1

