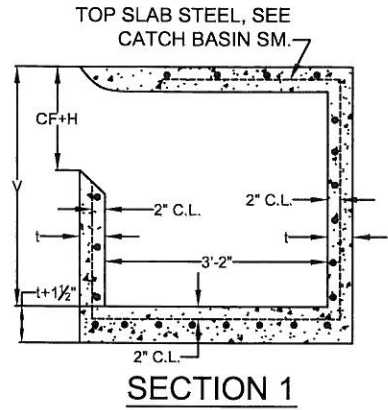


REINFORCEMENT - "W" TO 14' (INCL)

W OF CB	V (FT)		t (IN)	FRONT WALL STREET		REAR & END WALLS & FLOOR STREET
	FROM	TO (INCL)		HOR.	VERT.	EACH WAY.
TO 7'		4	6	#3 @ 6"	#3 @ 6"	#3 @ 6"
TO 7'	4	8	8	#4 @ 12"	#4 @ 12"	#4 @ 12"
TO 7'	8	12	10	#4 @ 10"	#4 @ 10"	#4 @ 10"
14'		4	6	#3 @ 6"	#3 @ 6"	#3 @ 6"
14'	4	8	8	#4 @ 12"	#4 @ 12"	#4 @ 12"
14'	8	10	10	#4 @ 8"	#4 @ 12"	#4 @ 10"
14'	10	12	10	#4 @ 6"	#4 @ 12"	#4 @ 10"

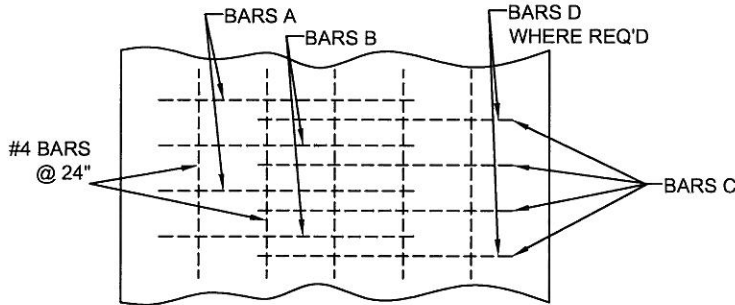
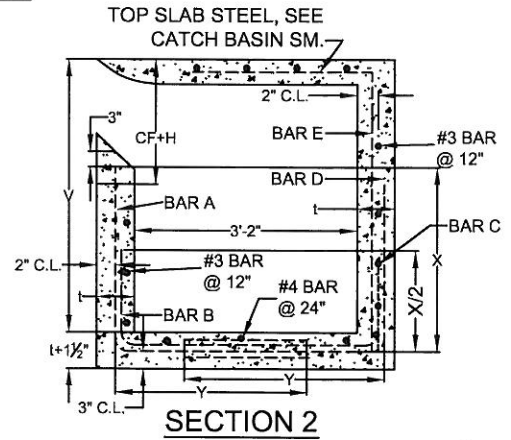


WALL AND FLOOR STEEL

REINFORCEMENT - "W" GREATER THAN 14'

V (FT)		t (IN)	FRONT WALL STEEL	REAR WALL STEEL			END WALL STEEL
FROM	TO (INCL)		BARS A & B	BARS C	BARS D	BARS E	HOR. & VERT.
	4	6	#3 @ 24"	#3 @ 12"		#4 @ 24"	#3 @ 18"
4	5	8	#3 @ 20"	#3 @ 12"		#4 @ 24"	#3 @ 14"
5	6	8	#3 @ 12"	#3 @ 10 1/2"		#4 @ 24"	#3 @ 14"
6	7	8	#4 @ 17"	#3 @ 8 1/2"		#4 @ 24"	#3 @ 14"
7	8	8	#4 @ 13"	#3 @ 6 1/2"		#4 @ 24"	#3 @ 14"
8	9	10	#4 @ 15"	#3 @ 7 1/2"		#4 @ 20"	#3 @ 11"
9	10	10	#4 @ 12"	#4 @ 12"		#4 @ 20"	#3 @ 11"
10	11	10	#5 @ 15"		#4 @ 12"	#4 @ 18"	#3 @ 11"
11	12	10	#6 @ 18"		#4 @ 9"	#4 @ 13"	#3 @ 11"

$X = (V+t) \cdot (C.F. + H + 4\frac{1}{2}')$ $Y = (b+2t)(\frac{1}{2}) + 15 \text{ DIA.} - 2'$



REINFORCEMENT FLOORING

SECTION 2

NOTES:

1. WALL AND FLOOR REINFORCING SHOWN SHALL BE USED WITH CATCH BASIN STANDARD DRAWINGS.
2. WHEN EXCAVATION OR SOIL CONDITIONS REQUIRE BOTH SIDES OF THE WALLS TO BE FORMED, THE REINFORCING STEEL SHOWN SHALL BE USED REGARDLESS OF BASIN LENGTH OR DEPTH.

REINFORCEMENT - GRATING

V (FT)		t (IN)	SIDE & END WALL STEEL
FROM	TO (INCL)		
	4	6	#3 @ 6"
4	8	8	#4 @ 6"
8	12	10	#5 @ 10"

CITY OF CORONA

CATCH BASIN REINFORCEMENT (ALL TYPES)

APPROVED BY:

KIP D. FIELD

11/23/09

CITY ENGINEER
KIP D. FIELD

DATE

REVISION	DESCRIPTION	BY	DATE

STANDARD PLAN NUMBER: **212**

SHT 1 OF 1

