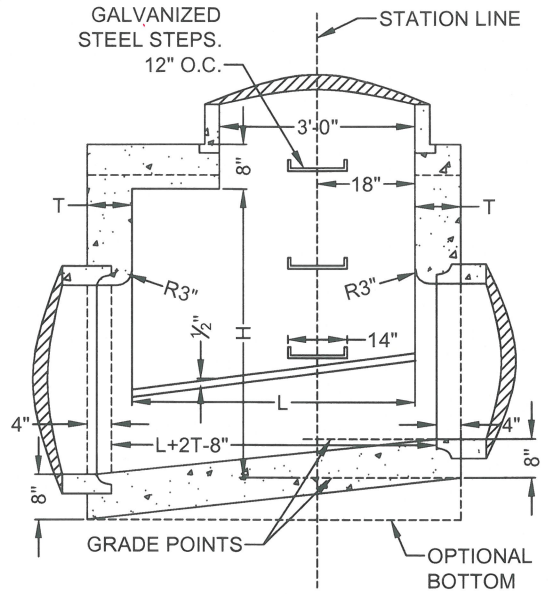


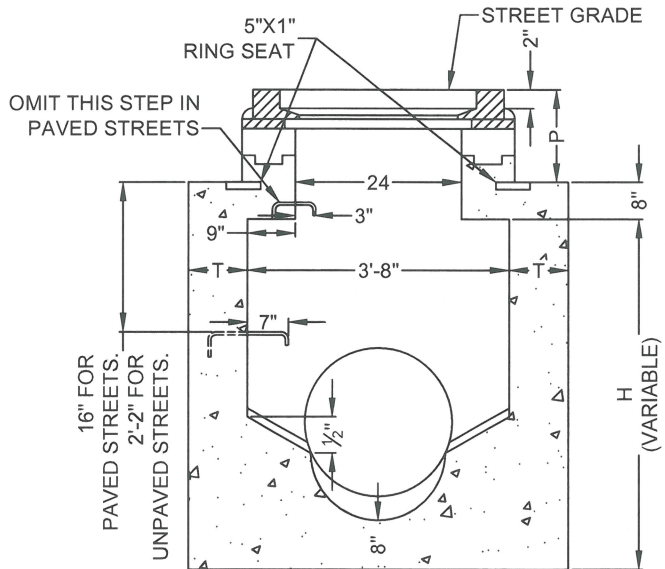
**SECTION "A-A"**

	MAX.	MIN.
FOR PAVED STREETS	11"	8½"
FOR UNPAVED STREETS	16"	15"

**NOTE:**  
SEE STANDARD PLAN 214 FOR H, L, M, P & T



**SECTION "B-B"**



**SECTION "C-C"**

REVISIONS:		
NO.	DATE	APPR'VD
1	3-16-16	KDF

APPROVED BY:	11/23/09
<i>KIP D. FIELD</i>	DATE
CITY ENGINEER	
KIP D. FIELD	
RCE NO. <u>45679</u>	EXP. DATE <u>12-31-16</u>

<b>CITY OF CORONA</b>	
<b>STORM DRAIN MANHOLE SECTIONS</b>	
STANDARD PLAN NUMBER: <b>213</b>	SHT 1 of 1