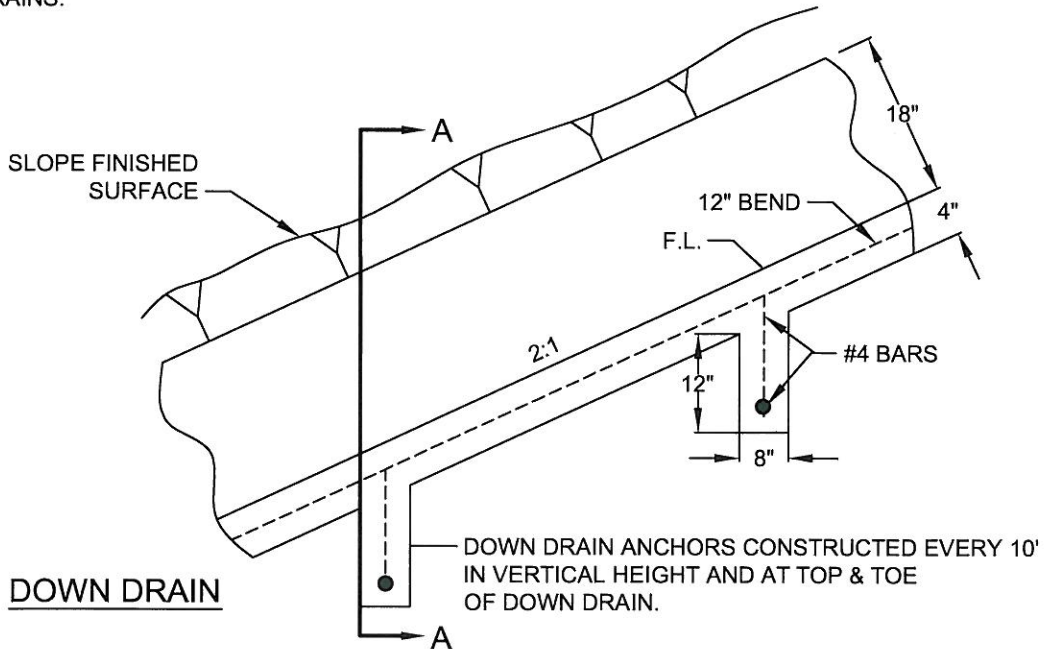


NOTES:

1. CONCRETE SHALL BE CLASS 560-C-3250 (AIR BLOWN SHALL BE CLASS 600-B-3250).
2. REINFORCING SHALL BE 6"X6"-W1.4XW1.4 WELDED WIRE MESH (W.W.M.) OR APPROVED EQUAL.
3. GROUND SHALL BE PRE-WETTED PER SOILS ENGINEER'S DIRECTION PRIOR TO PLACEMENT OF CONCRETE.
4. DOWN DRAINS SHALL BE LOCATED IN FACE OF THE SLOPE IN SUCH A MANNER AS TO MINIMIZE ITS VISIBILITY. AVOID DRAINS IN THE MIDDLE OF SLOPE OR RIDGE OF SLOPE. WHERE POSSIBLE, USE THE VALLEY BETWEEN SLOPES FOR LOCATING DOWN DRAINS.



APPROVED BY:
Kip D. Field
 CITY ENGINEER
 KIP D. FIELD

11/23/09
 DATE

CITY OF CORONA

DOWN DRAIN

REVISION	DESCRIPTION	BY	DATE