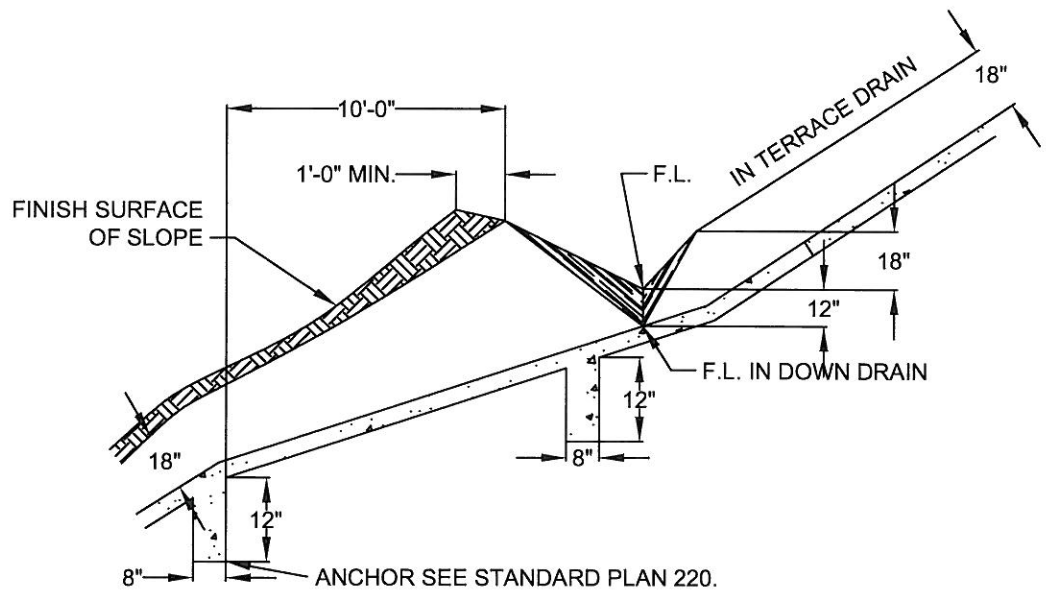


PLAN



SECTION "A-A"



APPROVED BY:
Kip D. Field
 CITY ENGINEER
 KIP D. FIELD

11/23/09
 DATE

CITY OF CORONA

TERRACE DRAIN & DOWN
 DRAIN INTERSECTION

REVISION	DESCRIPTION	BY	DATE
----------	-------------	----	------

STANDARD PLAN NUMBER: 221 SHT 1 OF 1