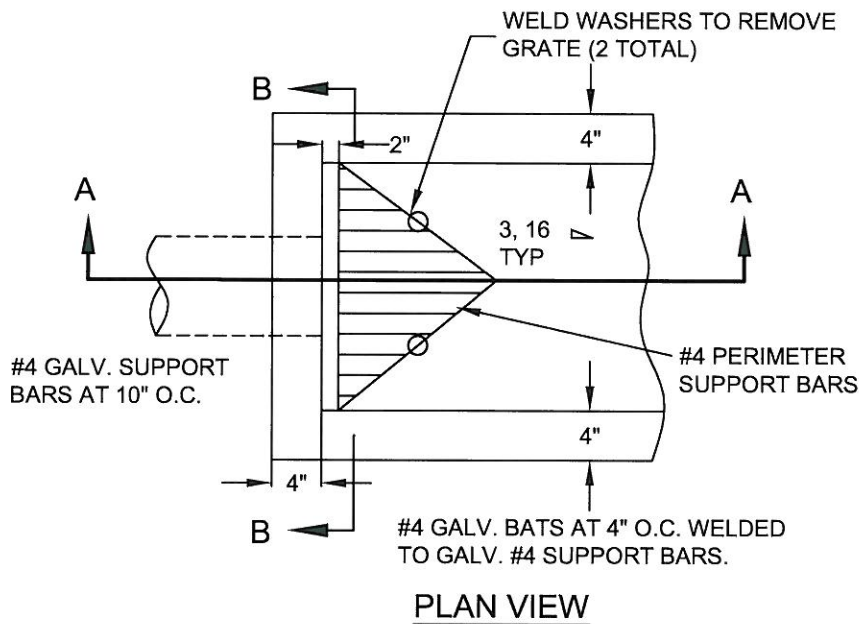


SECTION "A-A"

SECTION "B-B"




PLAN VIEW

NOTES:

1. GROUND SHALL BE PRE-WETTED PER SOILS ENGINEER'S DIRECTION PRIOR TO PLACEMENT OF CONCRETE.
2. GRATE SHALL BE BOLTED TO 1/2" X 4 1/2" GALVANIZED ANCHOR BOLTS SET IN CONCRETE.
3. MATERIAL FOR CONSTRUCTION OF DOWN DRAIN SHALL BE CONCRETE REINFORCED WITH 6" X 6" W1.4 X W1.4 WELDED WIRE FABRIC.
4. DOWN DRAIN TO PIPE TRANSITION SHALL BE SET 2' MIN. FROM ROAD RIGHT-OF-WAY.
5. GRATE SHALL BE HOT DIP GALVANIZED AFTER FABRICATION.



APPROVED BY:

 11/23/09
 CITY ENGINEER DATE
 KIP D. FIELD

CITY OF CORONA

**DOWN DRAIN TO
 PIPE TRANSITION**

REVISION	DESCRIPTION	BY	DATE

STANDARD PLAN NUMBER: **222** SHT 1 OF 1