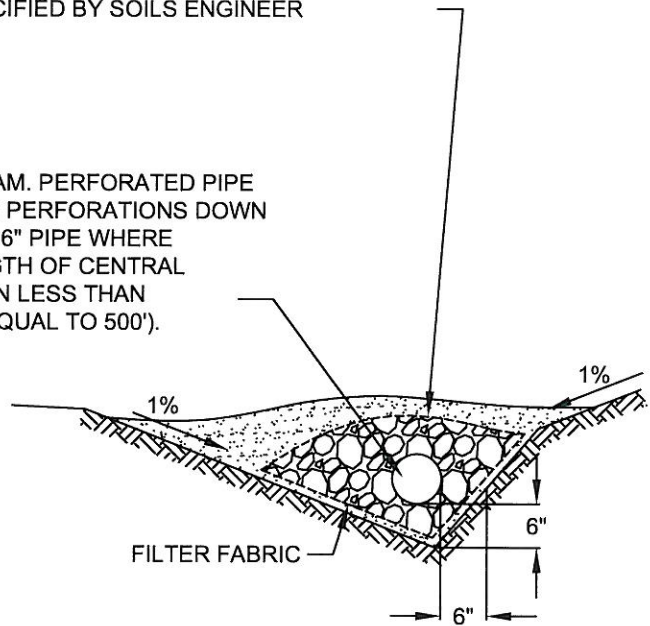


ALTERNATIVE A - PREFERRED
BACKHOE TRENCH

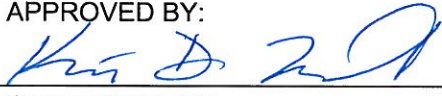


ALTERNATIVE B
V TRENCH

NOTES:

1. DEPTH OF CLEAN-OUT TO FIRM EARTH MATERIAL AS EXAMINED AND RECOMMENDED BY THE SOILS ENGINEER OR ENGINEERING GEOLOGIST.
2. FINAL 20' OF PIPE SHOULD BE NON-PERFORATED POSITIVE CONNECTION SHOULD BE PROVIDED BETWEEN LENGTH OF PIPES.
3. PERFORATIONS SHOULD BE AT 90° ANGLE 3/8" MAXIMUM DIAM. WITH MINIMUM OF 8 UNIFORMLY SPACED PERFORATIONS PER FOOT.
4. PIPE MATERIAL, UNLESS OTHERWISE APPROVED, SHOULD BE PVC OR ABS SCHEDULE 80 AND SECTIONS CONNECTED WITH COLLARS.



APPROVED BY:

 11/23/09
 CITY ENGINEER DATE
 KIP D. FIELD

CITY OF CORONA

**SUBSURFACE DRAINAGE
FOR COMPACTED FILL**

REVISION	DESCRIPTION	BY	DATE

STANDARD PLAN NUMBER: **224** SHT 1 OF 1