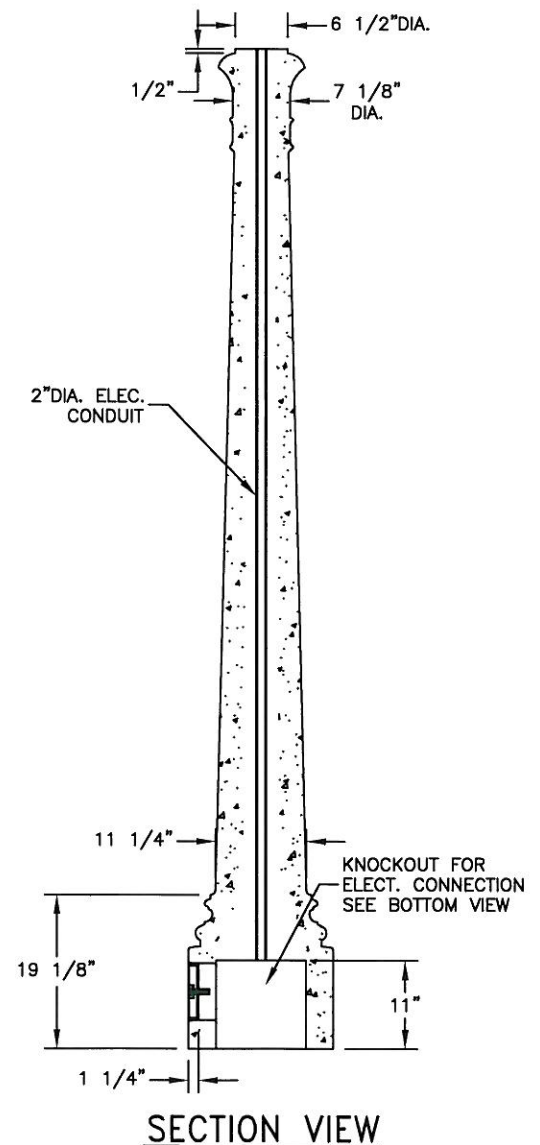
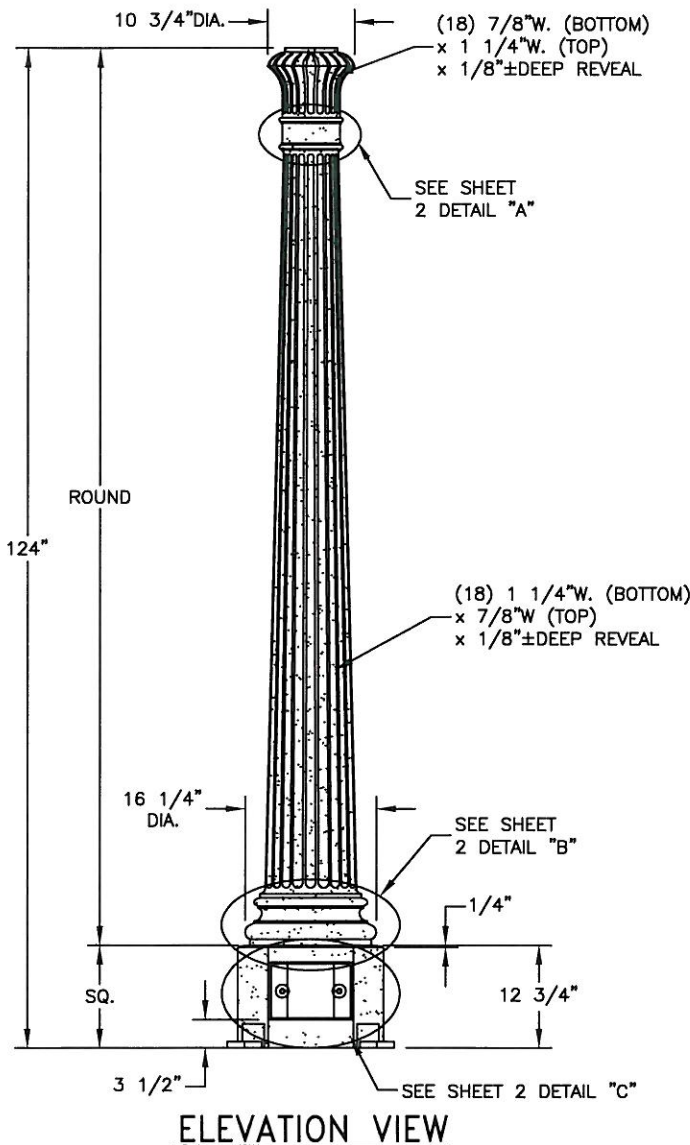
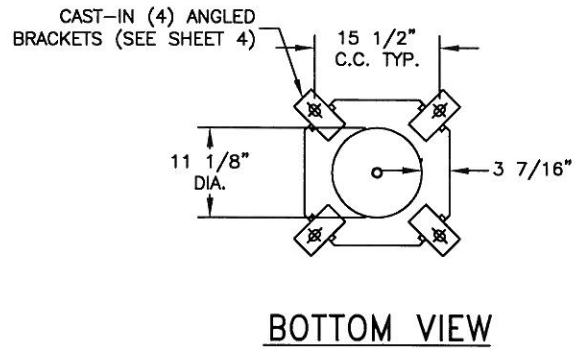
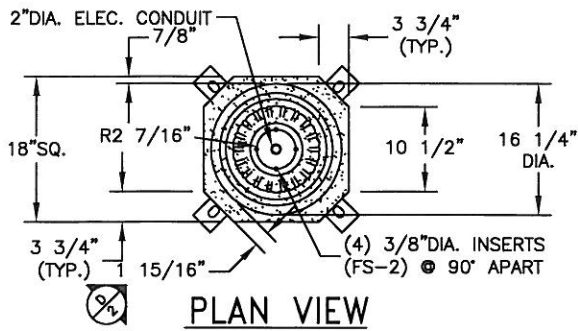


- * ALL EDGES TO HAVE 1/4" RADIUS MIN.
- * CONCRETE COLOR: C1- NATURAL
- * CONCRETE TEXTURE: T3-SFSB
- * SEALER: STANDARD GLOSS SEALER

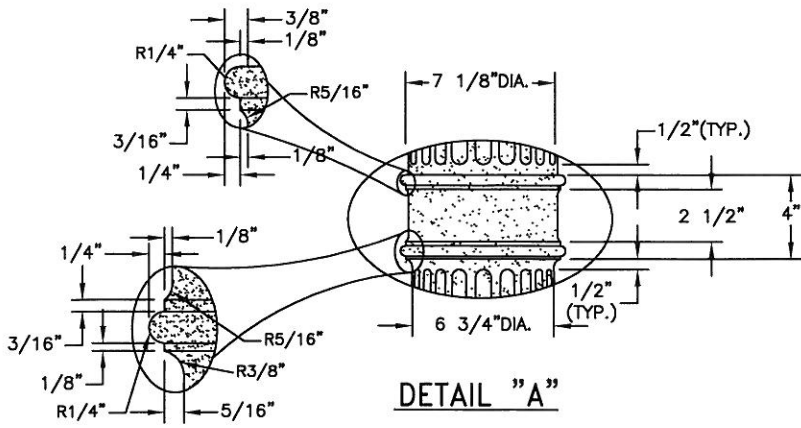
APROX. WT. 910 LBS.



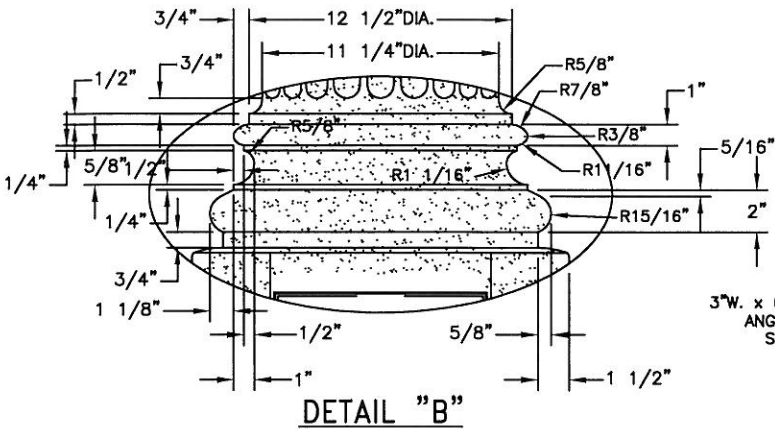
APPROVED BY: *Kip D. Field* 11/23/09
 CITY ENGINEER DATE
 KIP D. FIELD

CITY OF CORONA
 DECORATIVE LIGHT POLE
 STANDARD PLAN NUMBER: 504 SHT 1 OF 5

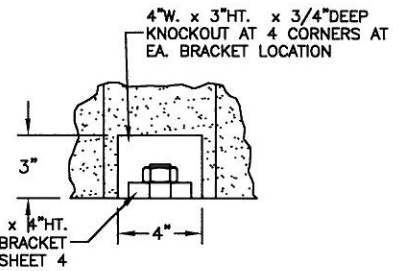
REVISION	DESCRIPTION	BY	DATE



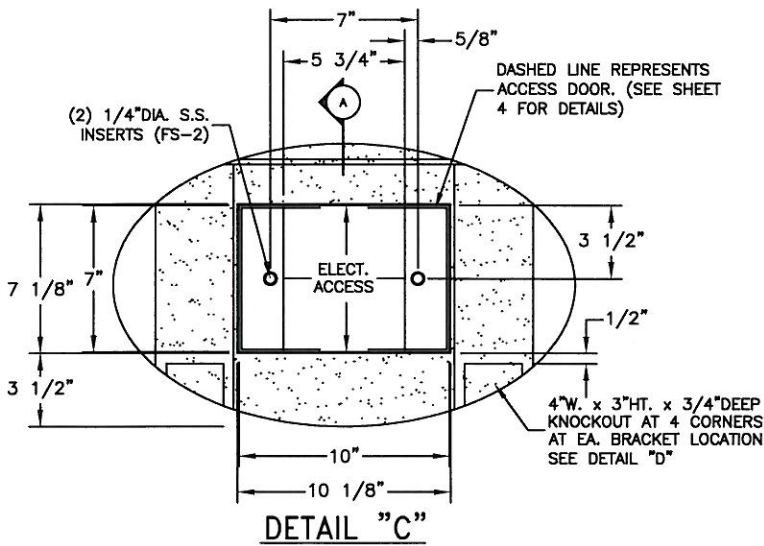
DETAIL "A"



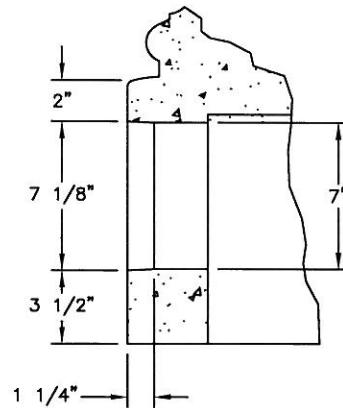
DETAIL "B"



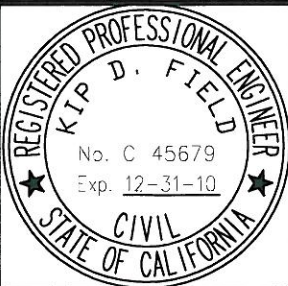
DETAIL "D"



DETAIL "C"



SECTION "A"



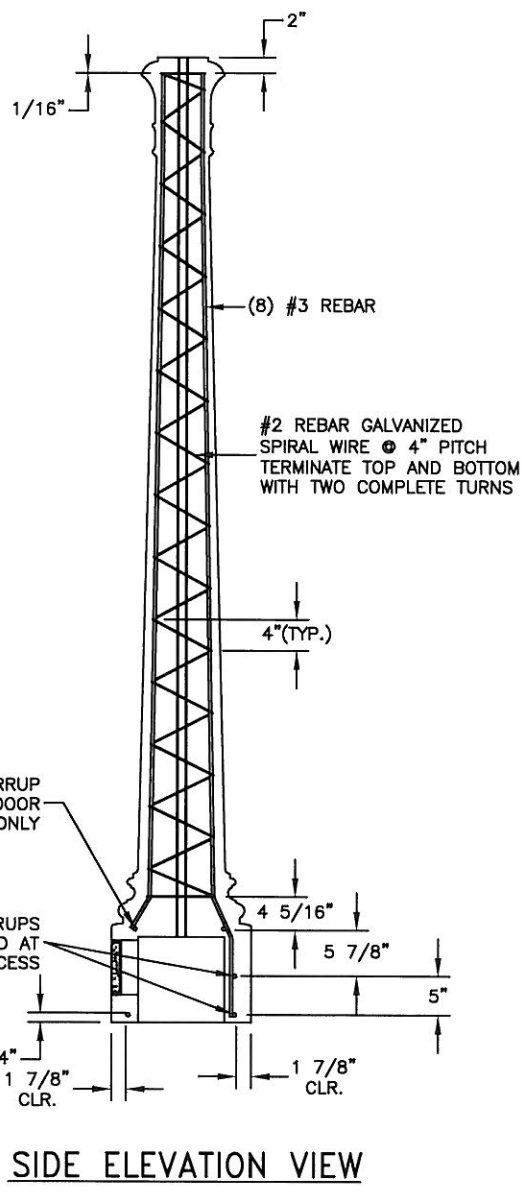
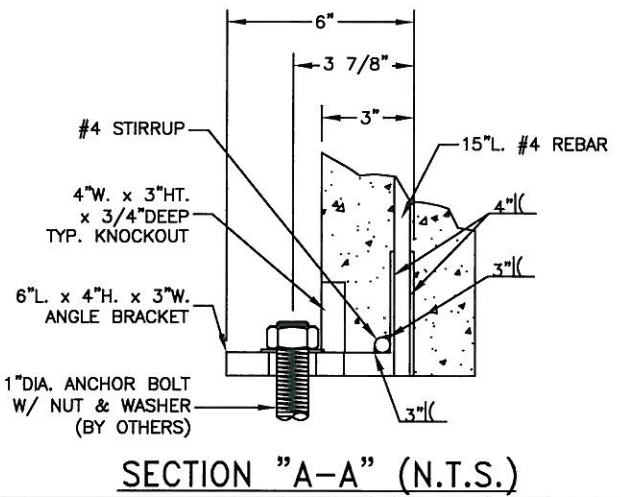
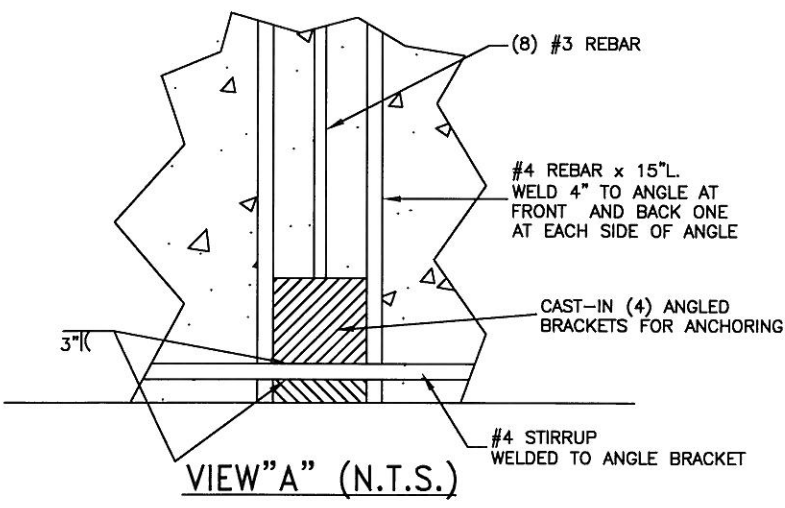
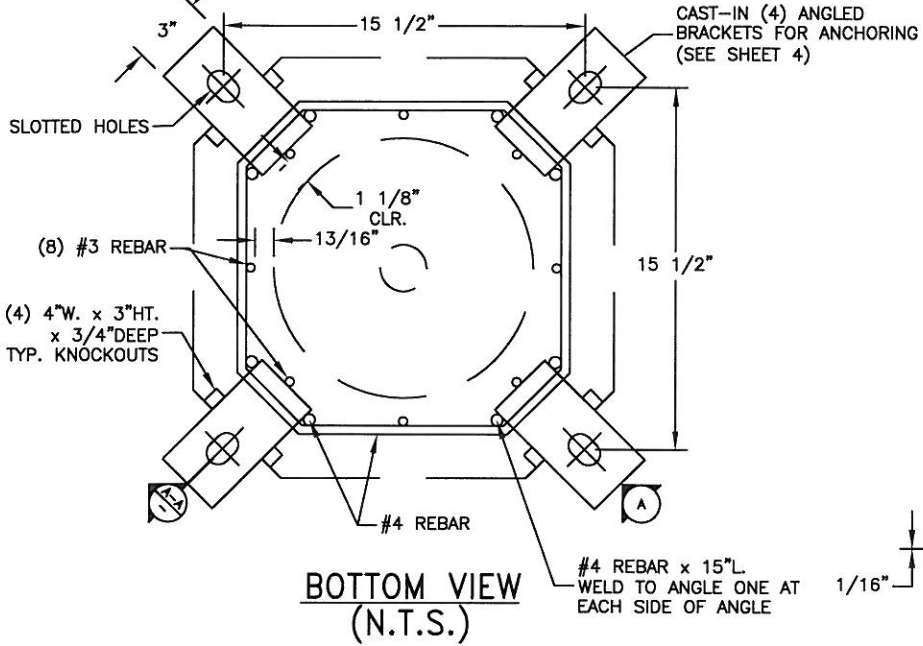
APPROVED BY:
Kip D. Field 11/23/09
 CITY ENGINEER DATE
 KIP D. FIELD

CITY OF CORONA

DECORATIVE LIGHT POLE

REVISION	DESCRIPTION	BY	DATE

STANDARD PLAN NUMBER: 504 SHT 2 OF 5



APPROVED BY:
Kip D. Field
CITY ENGINEER
KIP D. FIELD

11/23/09
DATE

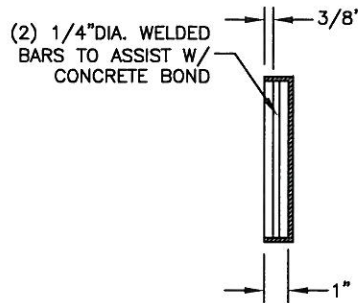
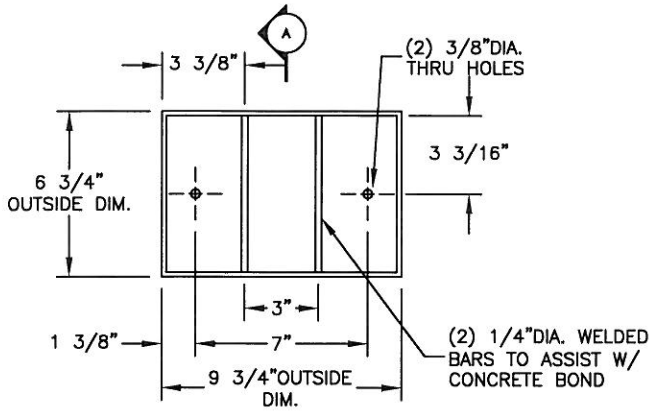
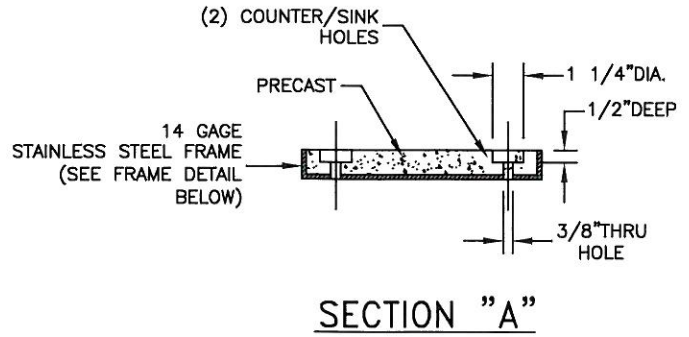
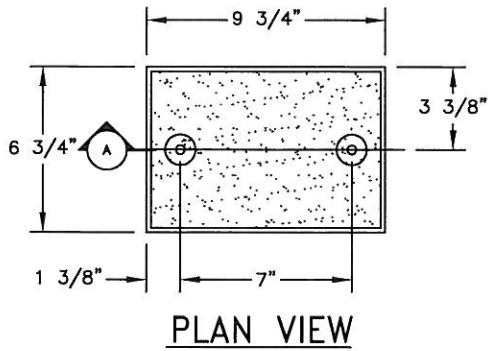
CITY OF CORONA

DECORATIVE LIGHT POLE

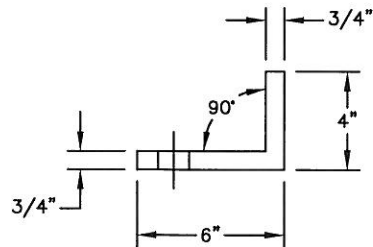
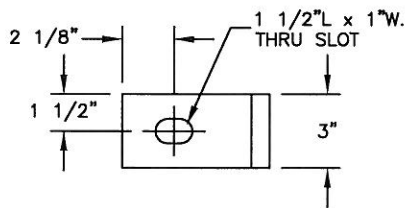
STANDARD PLAN NUMBER: **504**

SHT 3 OF 5

REVISION	DESCRIPTION	BY	DATE



ACCESS DOOR W/ STAINLESS STEEL FRAME



GALV. STEEL ANGLE BRACKET



APPROVED BY:
Kip D. Field
 11/23/09
 CITY ENGINEER DATE
 KIP D. FIELD

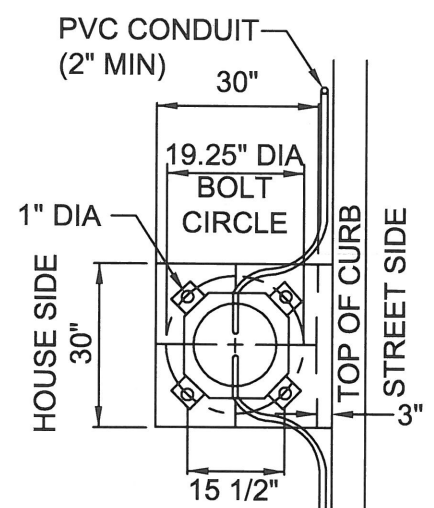
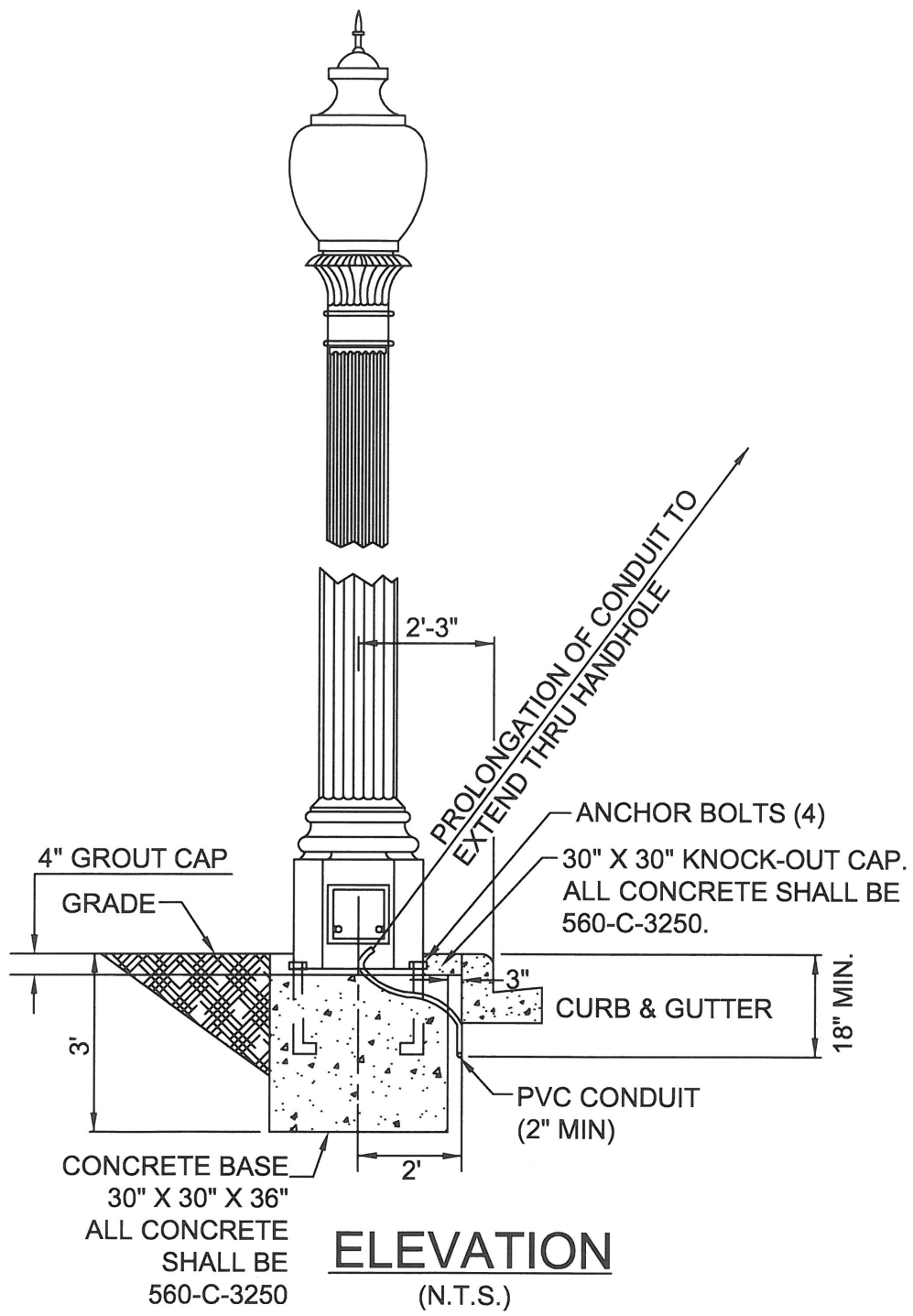
CITY OF CORONA

DECORATIVE LIGHT POLE

REVISION	DESCRIPTION	BY	DATE

STANDARD PLAN NUMBER: **504**

SHT 4 OF 5

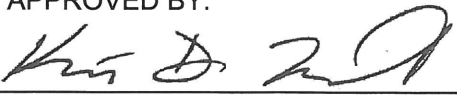


NOTE:
CONDUIT PLACED WITHIN 3" OF BACK OF CURB AND A MINIMUM OF 18" DEEP.

BASE
(N.T.S.)

BASE DETAIL FOR CONCRETE LIGHT POLE

(N.T.S.)
(FOR USE WITHIN CORONA HISTORICAL DISTRICT ONLY)

REVISIONS: NO. DATE APPRV'D 1 9-17-13 RA9			APPROVED BY:  CITY ENGINEER DATE KIP D. FIELD		CITY OF CORONA	
			RCE NO. 45679 EXP. DATE 12-31-16		DECORATIVE LIGHT POLE	
					STANDARD PLAN NUMBER: 504 SHT 5 OF 5	