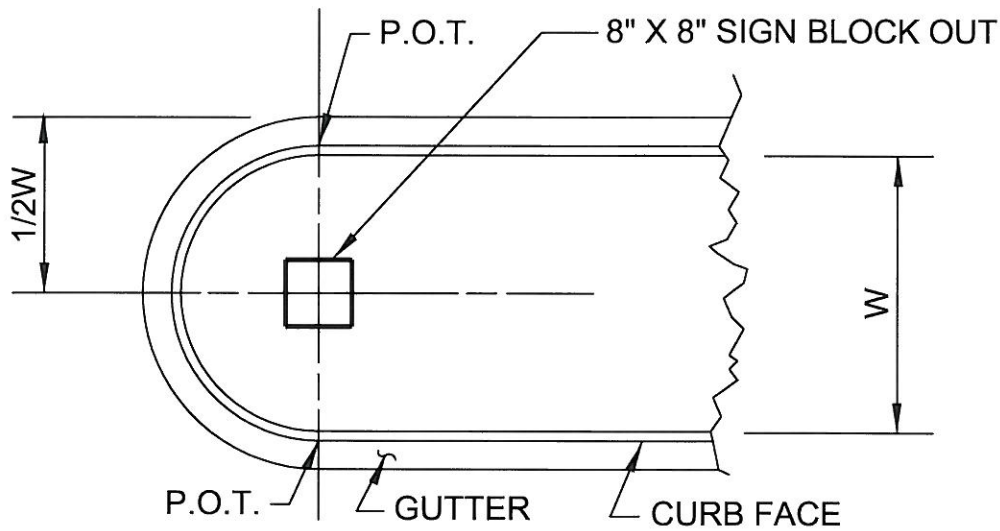


SIDEWALK LOCATION



MEDIAN LOCATION

NOTE:

1. SIGN POST BLOCK OUTS SHALL BE USED FOR ANY SIGN IN CONCRETE.

*DISTANCE DETERMINED BY WIDTH OF SIGN.



APPROVED BY:
Kip D. Field 11/23/09
 CITY ENGINEER DATE
 KIP D. FIELD

CITY OF CORONA

SIGN POST BLOCK OUT

REVISION	DESCRIPTION	BY	DATE

STANDARD PLAN NUMBER: **520** SHT 1 OF 1