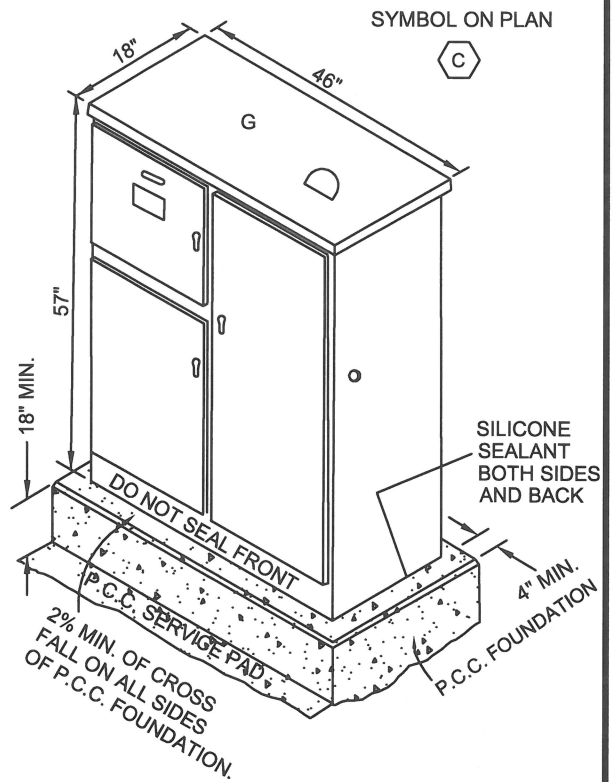
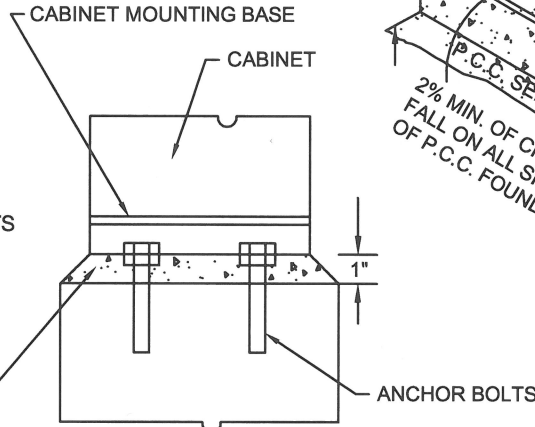
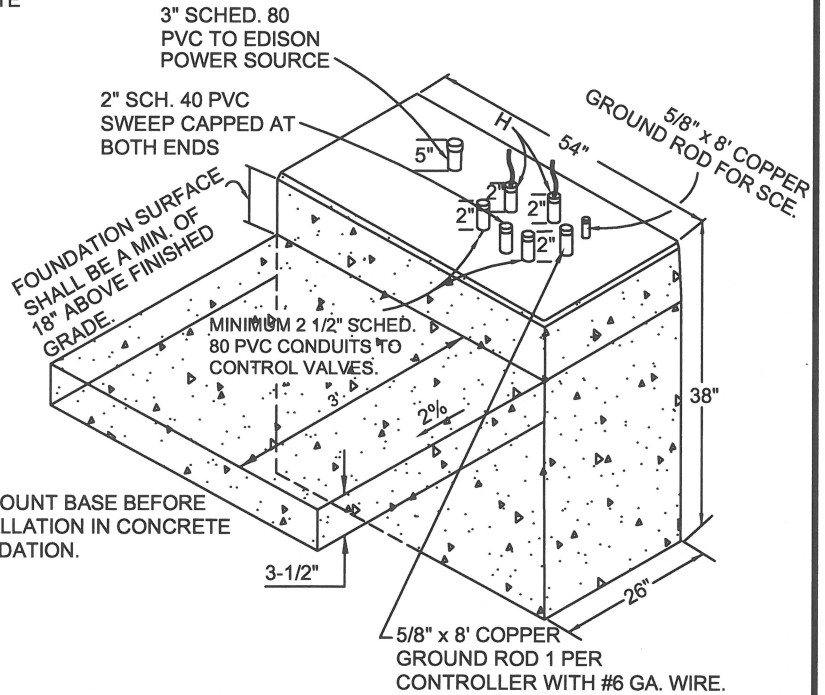


ATTACH CABINET TO FOUNDATION WITH ANCHOR BOLTS, STANDOFF NUTS AND DRYBACK CONCRETE.



- A. METER SOCKET W/ TEST. BLOCK-100 AMP.
- B. 12 CIRCUIT COPPER INTERIOR.
- C. TP-1 TRANSIENT PROTECTION BOARD
- D. PLYWOOD BACKBOARD.
- E. IRRIGATION CONTROLLER CALSENSE ET 2000E LR TYPE (# OF STATIONS)LR-DOME-RRE/TP-110/TP-1/ FM (SIZE)/(OTHER OPTIONS)
- F. TP 110 SURGE PROTECTION RECEPTACLE
- G. MYERS MEUG-46IX-M100 OR APPROVED EQUAL
- H. 2-2 1/2" SCHED. 40 GRAY P.V.C. CONTINUOUS CONDUITS FOR FUTURE USE EXTENDING TO PROJECT LIMITS WITH CONTINUOUS 3/8" POLY PULL ROPE, AND SWEPT INTO 11"X14" PULL BOXES EVERY 200'

SEE NOTE 6 ON STD 603-2 FOR SERVICE PAD REQUIREMENTS.



REVISIONS:		
NO.	DATE	APPR'VD
1	7-31-14	<i>[Signature]</i>

APPROVED BY:	<i>[Signature]</i>	11-23-09
CITY ENGINEER	KIP D. FIELD	DATE
RCE NO.	45679	EXP. DATE 12-31-12

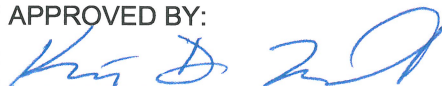
CITY OF CORONA	
ELECTRIC SERVICE AND IRRIGATION CONTROLLER (PUBLIC)	
STANDARD PLAN NUMBER: 603	SHT 1 OF 3

CONSTRUCTION NOTES

(REFLECT NEW DIMENSIONS PER STANDARD PLAN 601)

1. ALL CONCRETE SHALL BE 560-C-3250.
2. ALL SWEEP ELLS MUST EXTEND A MINIMUM 12" OUT BEYOND CONCRETE FOUNDATION AND TERMINATING IN AN 11" X 14" LOCKING VALVE BOX.
3. LOW VOLTAGE WIRES UNDER ROADWAY MUST BE IN CONTINUOUS SCHEDULE 80 CONDUIT WITH 90 DEGREE SWEEP ELLS TERMINATING INTO PULL BOXES.
4. DETACHABLE BASE SHALL BE PLACED IN FOUNDATION AT TIME OF POUR.
5. THE CONTROL CABINET FOUNDATION SHALL BE CONSTRUCTED A MINIMUM OF 4" ABOVE ADJACENT FINISHED GRADE.
6. A 3-1/2" THICK P.C.C. SERVICE PAD SHALL BE CONSTRUCTED AT FINISHED GRADE IN FRONT OF THIS CABINET. THE SERVICE PAD SHALL BE A MINIMUM OF 36" X 54" X 3 1/2" OR AS DIRECTED BY THE CITY REPRESENTATIVE IN THE FIELD, AND SHALL DRAIN AWAY FROM THE CABINET AT A MINIMUM OF 2% GRADE. (NARROW STRIPS OF LANDSCAPING BETWEEN THE SERVICE PAD OR CABINET FOUNDATION AND OTHER CONCRETE IMPROVEMENTS OR BLOCK WALLS IS NOT ACCEPTABLE).
7. A 5/8"X 8' COPPER GROUND ROD IS REQUIRED FOR ELECTRIC METER AND AN ADDITIONAL 5/8"X 8' COPPER GROUND ROD IS REQUIRED FOR EVERY CONTROLLER.
8. CALL CITY PUBLIC WORKS INSPECTION AT (951) 736-2442 FOR ADDRESS OF ELECTRIC SERVICE.



APPROVED BY:

 11/23/09
 CITY ENGINEER DATE
 KIP D. FIELD

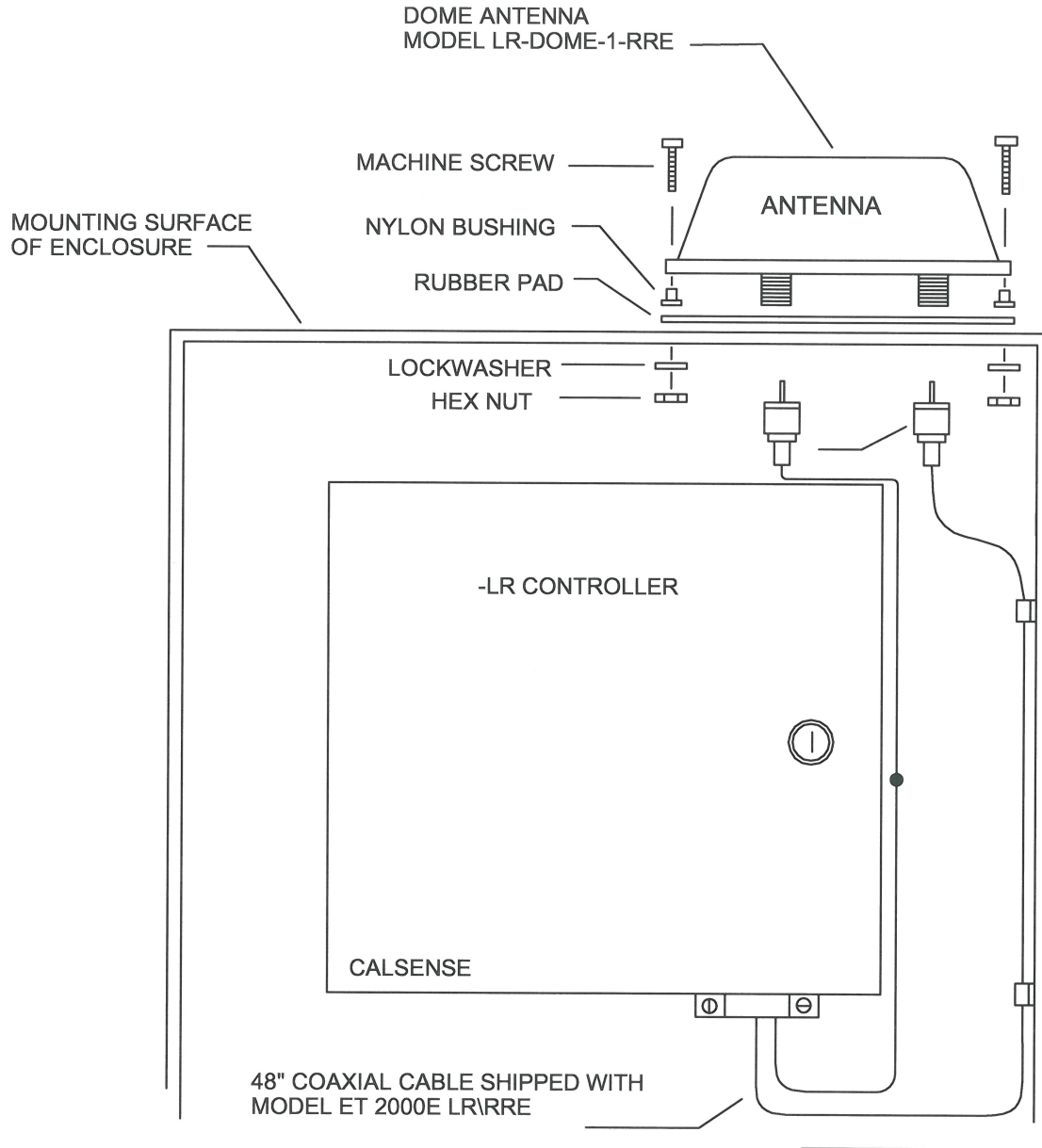
CITY OF CORONA

**ELECTRIC SERVICE AND IRRIGATION
 CONTROLLER
 (PUBLIC)**

REVISION	DESCRIPTION	BY	DATE

STANDARD PLAN NUMBER: **603** SHT 2 OF 3

RADIO ANTENNA INSTALLATION



NOTE: HOLE DIAMETER TO BE 1 1/2".



APPROVED BY: *Kip D. Field* 11/23/09
 CITY ENGINEER DATE
 KIP D. FIELD

CITY OF CORONA

RADIO ANTENNA INSTALLATION

REVISION	DESCRIPTION	BY	DATE

STANDARD PLAN NUMBER: **603** SHT 3 OF 3