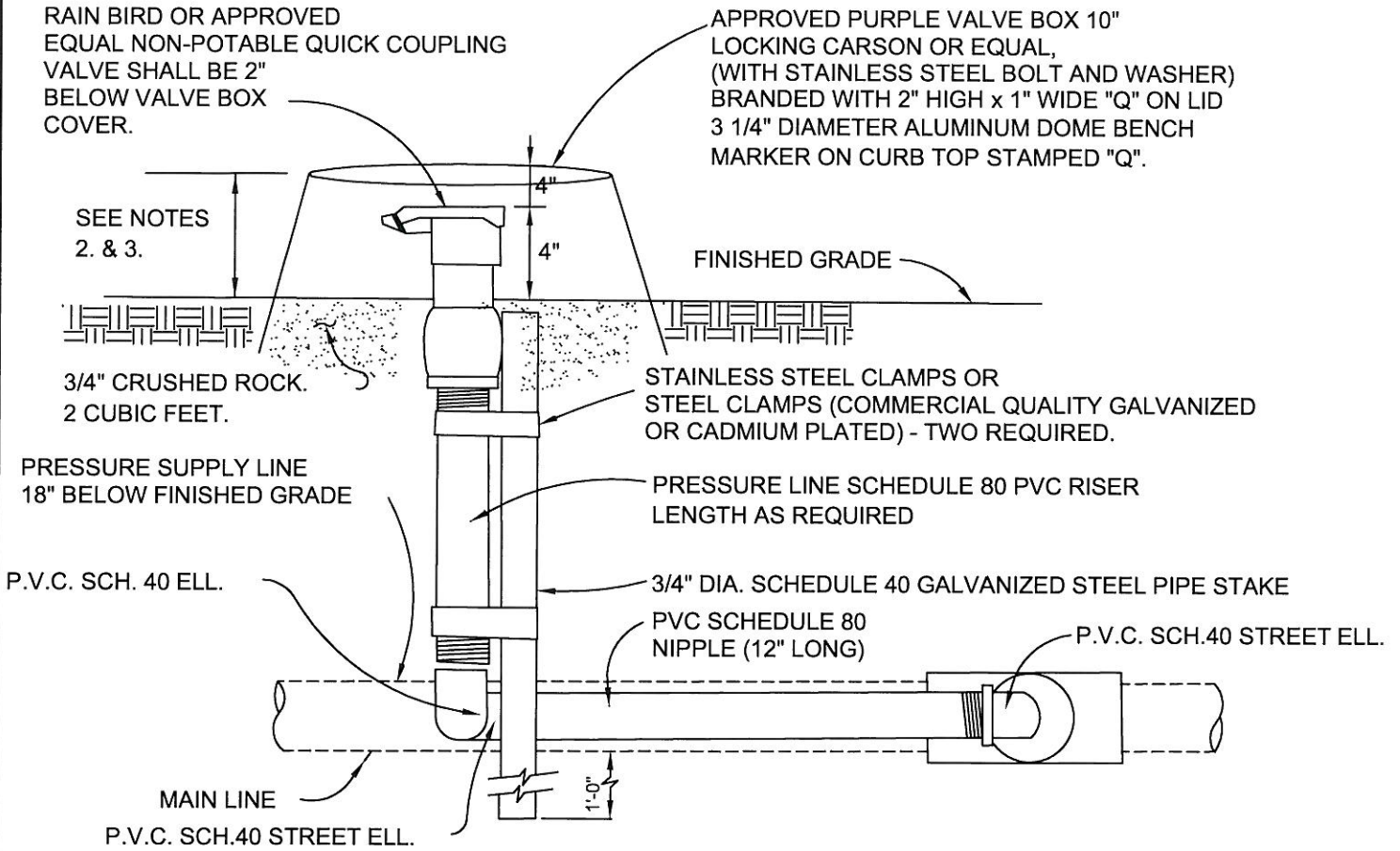


NOTE:
PLACE 3/4" CRUSHED ROCK AFTER INSTALLATION OF VALVE BOX.



ELEVATION

NOTES:

1. ALL PIPE AND FITTINGS SHALL BE SCHEDULE 80 PVC UNLESS OTHERWISE SPECIFIED.
2. QUICK COUPLER VALVE BOX IN LAWN AREAS SHALL BE SET 1/2" ABOVE GRADE.
3. QUICK COUPLER VALVE BOX IN SHRUB AREAS SHALL BE SET AT 1" ABOVE GRADE.
4. PIPE SIZE FROM MAIN LINE SHALL MATCH QUICK COUPLER INLET DIAMETER.
5. DISSIMILAR METALS SHALL BE SEPARATED BY AN APPROVED DIELECTRIC COUPLING.
6. SCHEDULE 80 PLASTIC PIPE SHALL BE USED ABOVE FINISHED GRADE.
7. 3 1/4" ALUMINUM DOME BENCH MARKERS STAMPED WITH 'QC' AND INSTALLED ON ADJACENT CURB TOP. AVAILABLE AT FORESTRY SUPPLIERS, INC. 1-800-647-5368 OR AT www.forestry-suppliers.com.

SYMBOL ON PLAN



BELOW GRADE PIPING INSTALLATION



APPROVED BY:
Kip D. Field 11/23/09
CITY ENGINEER DATE
KIP D. FIELD

CITY OF CORONA

QUICK COUPLER VALVE
UNDERGROUND

| REVISION | DESCRIPTION | BY | DATE |
|----------|-------------|----|------|
| | | | |

STANDARD PLAN NUMBER: **605** SHT 1 OF 1