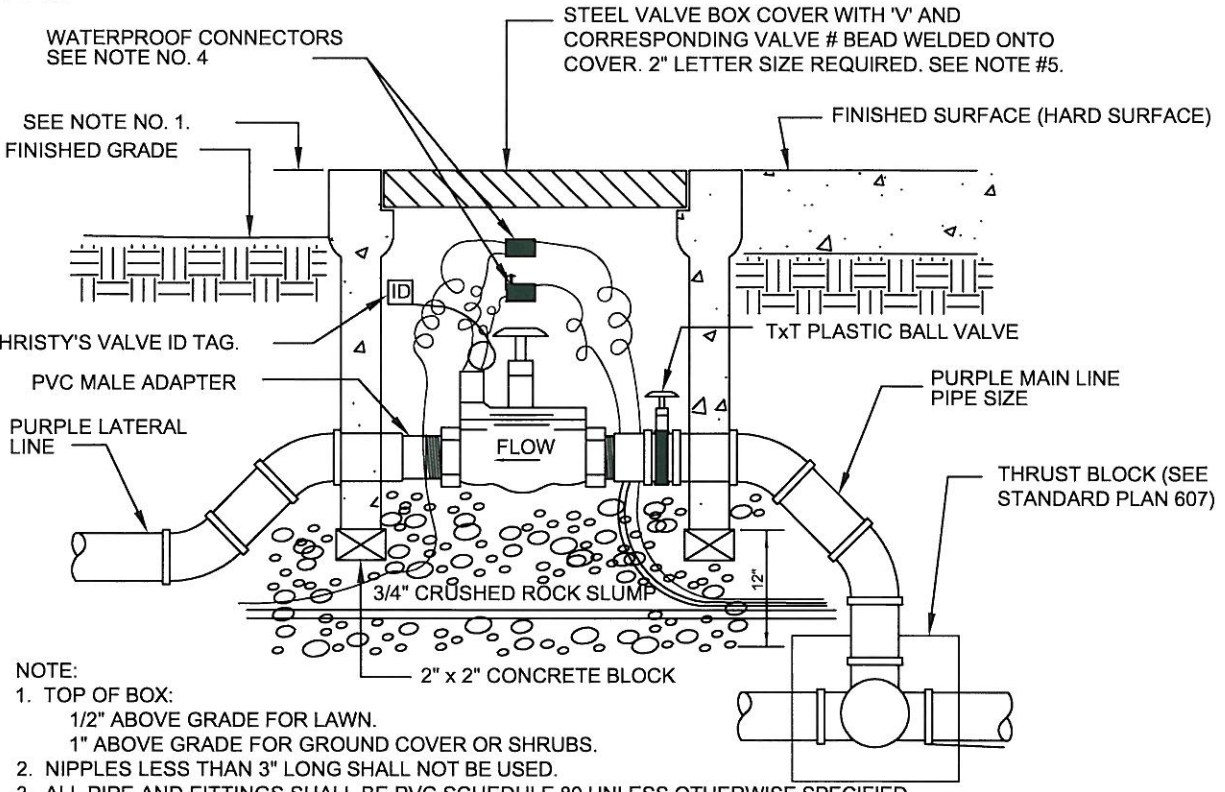
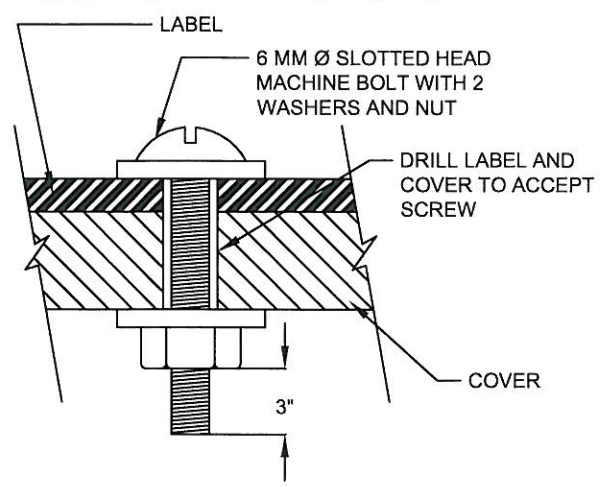


IDENTIFICATION LABEL:
 LABEL STAMPED WITH CONTROLLER AND STATION NUMBER.

EXAMPLE:
 A12 = CONTROLLER A, VALVE 12

FOR CONTROLLER AND STATION NUMBER SEE PROJECT PLANS.



- NOTE:
1. TOP OF BOX:
 1/2" ABOVE GRADE FOR LAWN.
 1" ABOVE GRADE FOR GROUND COVER OR SHRUBS.
 2. NIPPLES LESS THAN 3" LONG SHALL NOT BE USED.
 3. ALL PIPE AND FITTINGS SHALL BE PVC SCHEDULE 80 UNLESS OTHERWISE SPECIFIED.
 4. ALL WIRE SPLICES SHALL BE "SPEARS DRI SPLICE (DS-100)" OR APPROVED EQUAL, WITH 2 FT. EXPANSION LOOPS.
 5. VALVE BOX SHALL BE CONCRETE BOX WITH LOCKING METAL COVER. (STAINLESS STEEL BOLT & WASHER)
 6. 3/4" CRUSHED ROCK SHALL COVER VALVE BOX PIPE OPENINGS TO PREVENT SOIL ENTRY.
 7. DUAL UNION BALL VALVES ARE PROHIBITED.
 8. ALL 2 1/2" VALVES OR LARGER SHALL BE PLACED IN A 15" X 21.5" LOCKING VALVE BOX.
 9. 3 1/4" ALUMINUM DOME BENCH MARKER STAMPED WITH "V" AND CORRESPONDING VALVE # IN ADJACENT CURB TOP. AVAILABLE FROM FORESTRY SUPPLIERS INC. 800-647-5368, OR AT WWW.FORESTRY-SUPPLIERS.COM.

SYMBOL ON PLAN

30V AT CONTROL		MAXIMUM DISTANCE FROM CONTROLLER TO VALVES IN FEET	
WIRE	#14		1335
SIZE	#12		2120



APPROVED BY:

 11/23/09
 CITY ENGINEER DATE
 KIP D. FIELD

CITY OF CORONA
 REMOTE CONTROL VALVE
 STANDARD PLAN NUMBER: 606 SHT 1 OF 1

REVISION	DESCRIPTION	BY	DATE