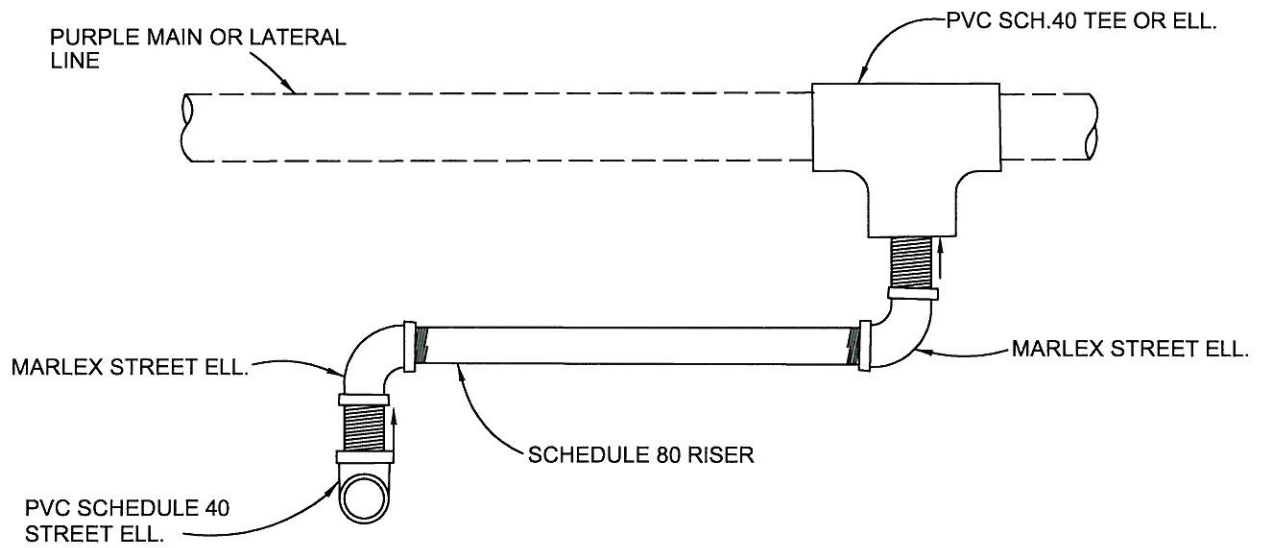


ELEVATION



TURF SPRINKLER INSTALLATION

NOTES:

1. ALL NIPPLES SHALL BE SCHEDULE 80 PVC UNLESS OTHERWISE SPECIFIED.
2. TEFLON TAPE REQUIRED ON ALL BUT MARLEX FITTINGS.



APPROVED BY:
Kip D. Field 11/23/09
 CITY ENGINEER DATE
 KIP D. FIELD

CITY OF CORONA

SWING JOINT DETAIL

REVISION	DESCRIPTION	BY	DATE

STANDARD PLAN NUMBER: **611** SHT 1 OF 1