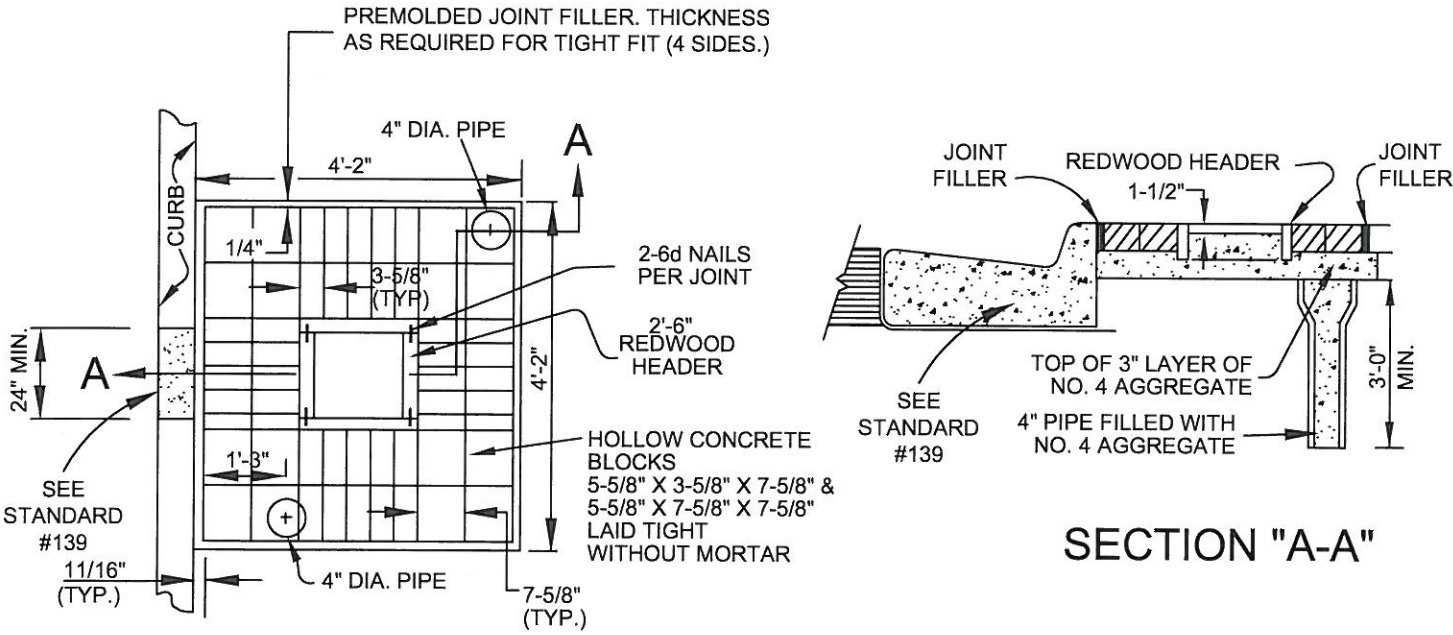


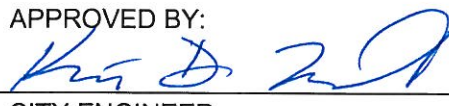
CASE 1

CASE 2



CASE 3

SECTION "A-A"

REVISIONS:			APPROVED BY:		CITY OF CORONA	
NO.	DATE	APPR'VD	 CITY ENGINEER KIP D. FIELD		DATE 11-23-09	
1	2/18/11	KE				
			RCE NO. 45679		EXP. DATE 12-31-10	
					TREE WELL: TYPE 2	
					STANDARD PLAN NUMBER: 702	
					SHT 1 OF 1	