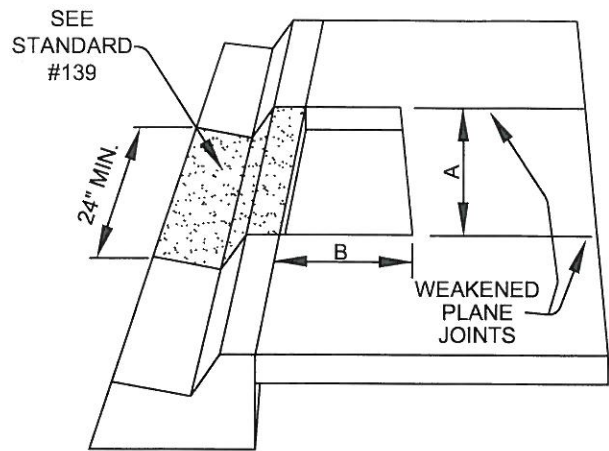


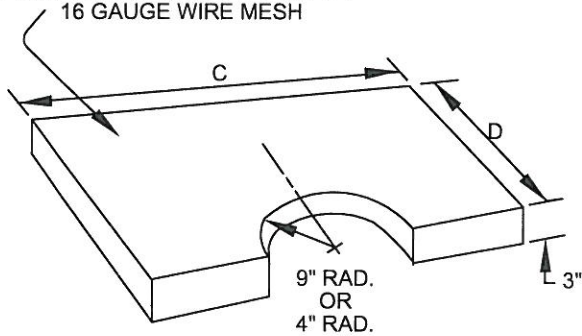
**PARKWAYS LESS THAN 8'
STYLE**
CASE 1: 1'-6" X 3' TREE WELL
CASE 2: 2'-4" TREE WELL



PARKWAYS 8' OR GREATER
2 COVERS REQUIRED
CASE 3: 3'-3" TREE WELL
CASE 4: 4'-4" TREE WELL

TREE WELLS

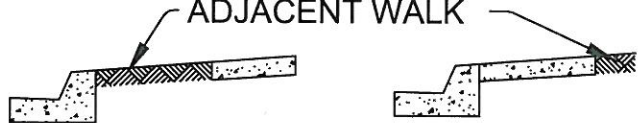
POROUS, PERMEABLE P.C.C.
REINFORCED WITH 2-1/4" X 2-1/4"
16 GAUGE WIRE MESH



**POROUS TREE WELL
COVER**

CASE	A	B	C	D
1	3'-0"	1'-6"	2'-11"	1'-5 1/2"
2	4'-0"	2'-0"	3'-11"	1'-11 1/2"
3	3'-0"	3'-0"	2'-11"	1'-5 1/2"
4	4'-0"	4'-0"	3'-11"	1'-11 1/2"

GRADE TO BE FLUSH WITH
ADJACENT WALK



TYPICAL SECTIONS

NOTES:

- TREE WELLS SHALL BE SPACED AS DIRECTED BY THE CITY ENGINEER OR INDICATED ON THE CONTRACT DOCUMENTS.
- LOCATION OF TREES WILL BE SUBJECT TO THE FOLLOWING CONDITIONS:
A. MIN. 25' FROM CURB RETURNS.
B. MIN. 15' FROM LIGHT STANDARDS.
C. MIN. 5' FROM FIRE HYDRANTS.
D. MIN. 0.5' FROM DRIVEWAYS.
- COVERS ARE TO BE COLORED BUFF USING AN ACCEPTABLE COLORING AGENT.
- TREE WELLS ARE TO BE BACKFILLED WITH CLEAN DIRT AND FLUSH WITH ADJACENT WALK UNTIL TREES ARE PLANTED.
- PARKWAYS LESS THAN 8': CASE 1-UNLESS OTHERWISE SPECIFIED. CASE 2-USE WHERE THERE IS AN EXISTING FENCE OR WALL AT THE P.L. CASE 3-UNLESS OTHERWISE SPECIFIED. CASE 4-MAY BE SPECIFIED WITH WALKS 7' OR GREATER.

REVISIONS:

NO.	DATE	APPR'V'D
1	2/13/11	KF

APPROVED BY:
Kip D. Field 11-23-09
CITY ENGINEER DATE
KIP D. FIELD
RCE NO. 45679 EXP. DATE 12-31-10

CITY OF CORONA

TREE WELL: TYPE 3

STANDARD PLAN NUMBER: **703**