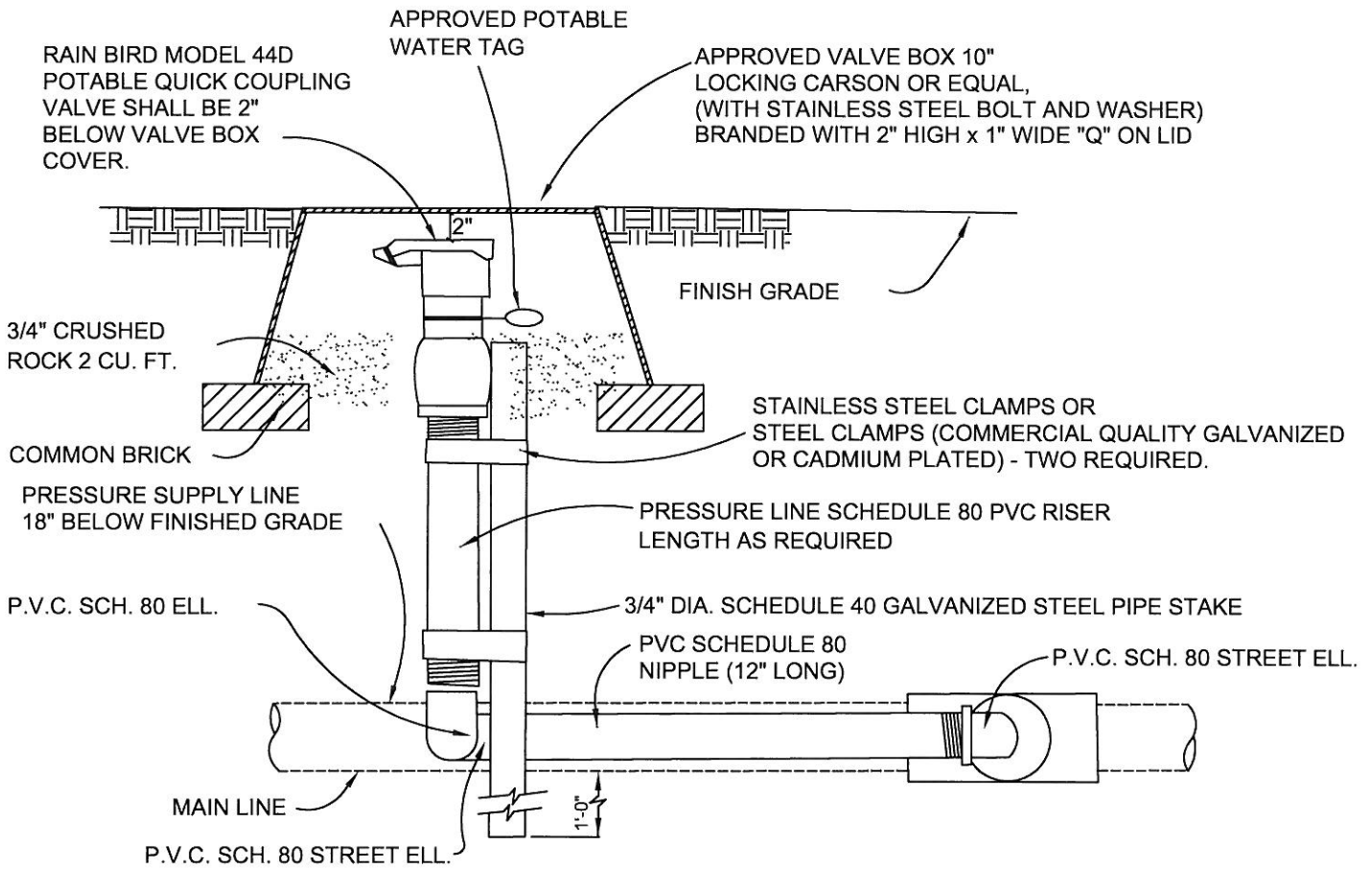


NOTE:
PLACE 3/4" CRUSHED ROCK AFTER INSTALLATION OF VALVE BOX.



ELEVATION

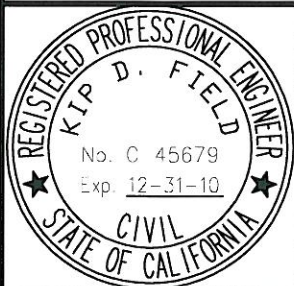
NOTES:

1. ALL PIPE AND FITTINGS SHALL BE SCHEDULE 80 PVC UNLESS OTHERWISE SPECIFIED.
2. QUICK COUPLER VALVE BOX IN LAWN AREAS SHALL BE SET AT GRADE.
3. QUICK COUPLER VALVE BOX IN SHRUB AREAS SHALL BE SET AT 1" ABOVE GRADE.
4. PIPE SIZE FROM MAIN LINE SHALL MATCH QUICK COUPLER INLET DIAMETER.
5. DISSIMILAR METALS SHALL BE SEPARATED BY AN APPROVED DIELECTRIC COUPLING.
6. SCHEDULE 80 PLASTIC PIPE SHALL BE USED ABOVE FINISHED GRADE.

SYMBOL ON PLAN



BELOW GRADE PIPING INSTALLATION



APPROVED BY:
Kip D. Field
CITY ENGINEER
KIP D. FIELD

11/23/09
DATE

CITY OF CORONA

QUICK COUPLER VALVE
POTABLE WATER

REVISION	DESCRIPTION	BY	DATE

STANDARD PLAN NUMBER: 807 SHT 1 OF 1