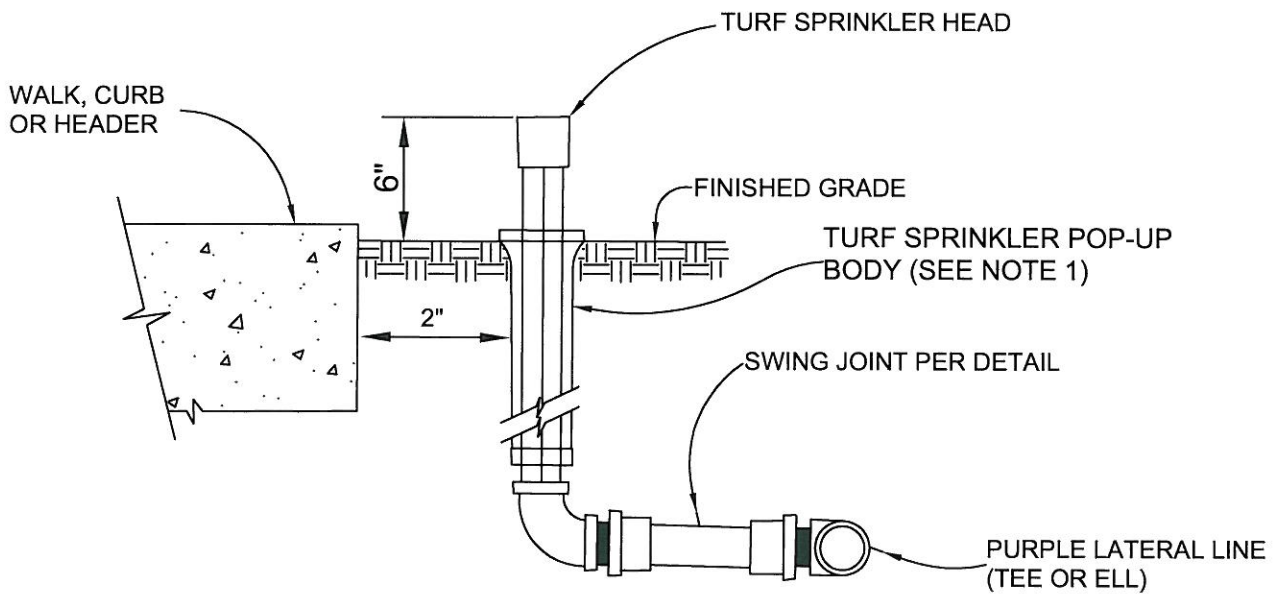


SHRUB POP-UP SPRINKLER INSTALLATION



TURF SPRINKLER INSTALLATION

NOTES:

1. FOR POP-UP HEADS, BODY SHALL BE AT FINISHED GRADE.
2. ALL POP-UP SPRINKLERS SHALL HAVE AN INTERNAL "ANTI-DRAIN DEVICE".



APPROVED BY:
Kip D. Field
 11/23/09
 CITY ENGINEER DATE
 KIP D. FIELD

CITY OF CORONA

TURF AND SHRUB POP-UP
 INSTALLATION

REVISION	DESCRIPTION	BY	DATE

STANDARD PLAN NUMBER: **813** SHT 1 OF 1