


**NOTES:**

1. GROUP GRILL TOP VIEW
2. GRILL ELEVATION VIEW
3. INSTALL BBQ MODEL NO. 210G OR 200G SURFACE MOUNT BY IRON MOUNTAIN FORGE
4. J - BOLTS TYPICAL 4 PLACES TACK WELD NUTS
5. PLYWOOD TEMPLATE
6. CONCRETE FLATWORK FINISH SURFACE
7. CONCRETE FOOTING
8. COMPACTED SUB-GRADE PER MANUFACTURER'S SPECIFICATIONS



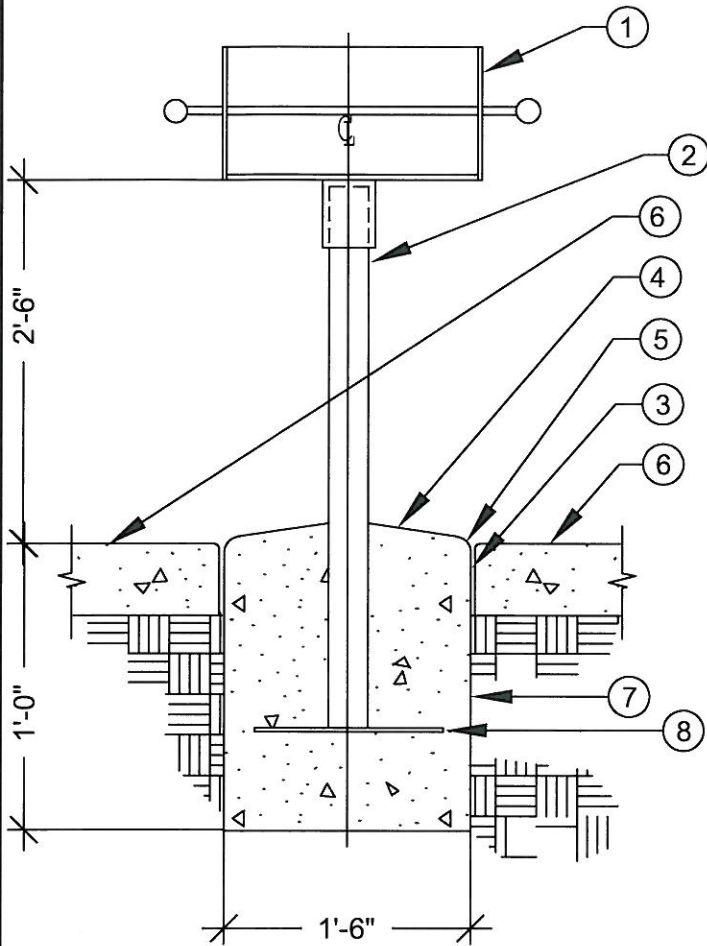
APPROVED BY:  
  
 11/23/09  
 CITY ENGINEER DATE  
 KIP D. FIELD

**CITY OF CORONA**

**GALVANIZED BBQ GRILL**

REVISION	DESCRIPTION	BY	DATE

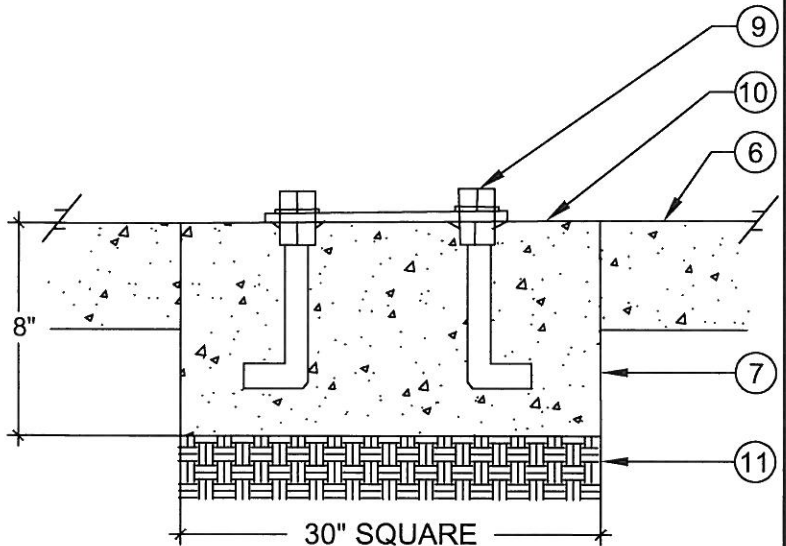
STANDARD PLAN NUMBER: **833** SHT 1 OF 2



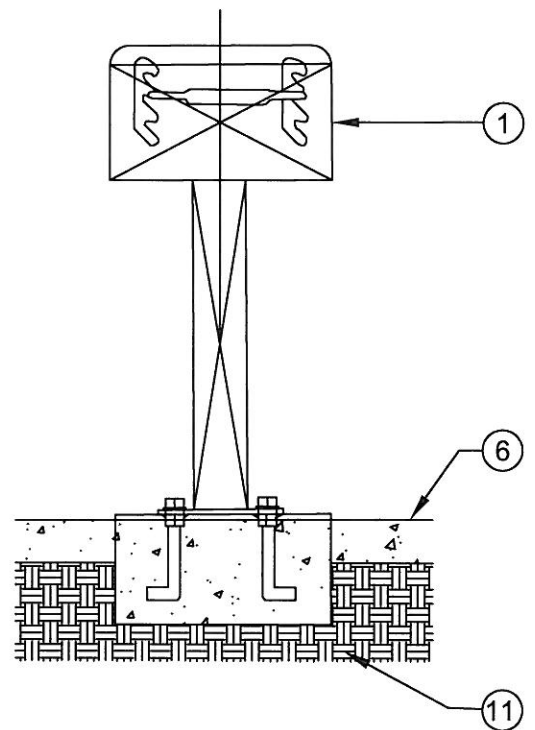
## DIRECT BURIAL

### NOTES

1. GALVANIZED GRILL BOX
2. GALVANIZED 3 1/2" O.D. PIPE PEDESTAL 40" LONG
3. COLD JOINT
4. CROWN CONCRETE FOOTING 1" AT PIPE PEDESTAL
5. 1/2" RADIUS ALL AROUND
6. FINISH GRADE PAVING. CENTER BBQ IN 6'x6' CONCRETE PAD
7. CONCRETE FOOTING
8. WELD #4 REBAR 12" LONG TO BOTTOM OF PIPE PEDESTAL
9. J-BOLTS TYPICAL 4 PLACES, TACK WELD NUTS
10. PLYWOOD TEMPLATE
11. COMPACTED SUB-GRADE PER MANUFACTURER'S SPECIFICATIONS



## SECTION



## SURFACE MOUNT

APPROVED BY:

*KIP D. FIELD*

11/23/09

CITY ENGINEER  
KIP D. FIELD

DATE

CITY OF CORONA

BBQ GRILL PEDESTAL

REVISION	DESCRIPTION	BY	DATE

STANDARD PLAN NUMBER: 833

SHT 2 OF 2

