

NOTES:

- | | |
|---|---|
| <ul style="list-style-type: none"> 1. TEMPLATE PEDESTAL 2. 1/2"-13 UNCMTG BOLTS 4X (SUPPLIED) 3. MOUNTING HOLES FOR 1/2" ANCHOR BOLTS IN CONCRETE SLAB 4X 4. SANDBLAST FINISH 5. SCREWDRIVER STOP (SUPPLIED) 6. 1/2"-13 UNC-SS ANCHORS 7. 1-1/4" O.D. TAILPIECE (SUPPLIED) 8. STRAINER (SUPPLIED) | <ul style="list-style-type: none"> 9. ACCESS PLATE SHOWN REMOVED FOR CLARITY. 10. 1-1/2" IPS WASTE (BY OTHERS) 11. MOUNTING PLATE 12. 30" SQUARE CONCRETE SLAB (BY OTHERS) 13. RECESSED ACCESS PLATE 14. FINISHED GRADE 15. LONG SWEEP ELL 16. DRINKING FOUNTAIN SHALL BE PLACED PER DHS GUIDELINES |
|---|---|



APPROVED BY:
Kip D. Field
 CITY ENGINEER
 KIP D. FIELD

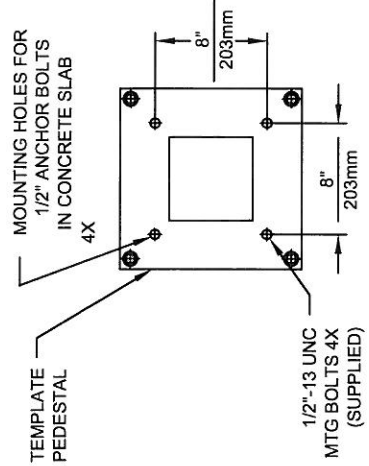
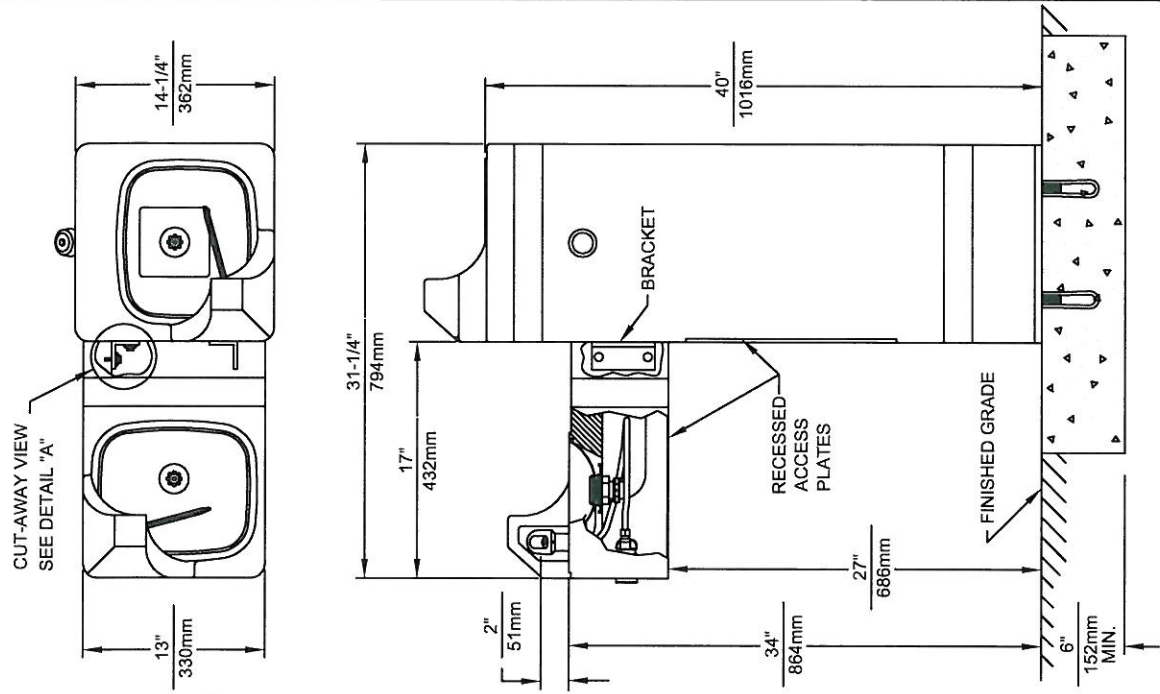
11/23/09
 DATE

CITY OF CORONA

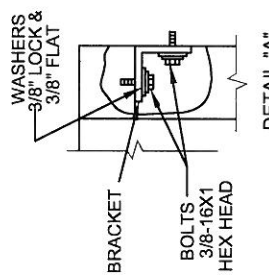
**HAWS MODEL 3121
 DRINKING FOUNTAIN**

REVISION	DESCRIPTION	BY	DATE

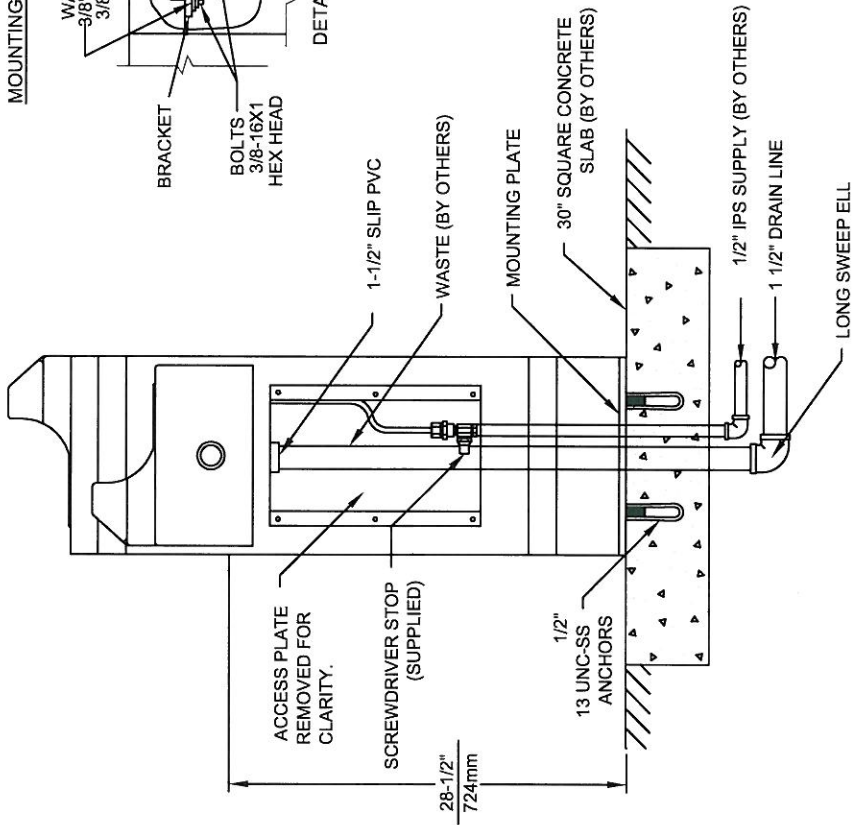
STANDARD PLAN NUMBER: **837** SHT 1 OF 2

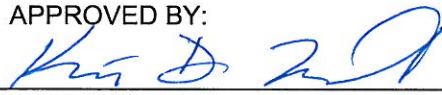


MOUNTING DETAIL



DETAIL "A"



APPROVED BY:

 11/23/09
 CITY ENGINEER DATE
 KIP D. FIELD

CITY OF CORONA

HAWS MODEL 3150
 DRINKING FOUNTAIN

REVISION	DESCRIPTION	BY	DATE

STANDARD PLAN NUMBER: **837** SHT 2 OF 2

